



REPLY TO
ATTENTION OF

DEPARTMENT OF THE ARMY
THE INSTITUTE OF HERALDRY
9325 GUNSTON ROAD, ROOM S112
FORT BELVOIR, VIRGINIA 22060-5579

AAHS-IHS (840-10a)

JUL 30 2015

MEMORANDUM FOR Commander, 116th Military Intelligence Brigade, ATTN: CSM Andrew M. Woods, 711 Chamberlain Avenue, Bldg. 24701, Fort Gordon, GA 30905

SUBJECT: Heraldic Items for the 116th Military Intelligence Brigade

1. The authorization letter for the shoulder sleeve insignia (SSI) of the 116th Military Intelligence Brigade is at enclosure 1. The distinctive unit insignia previously authorized for the 116th Military Intelligence Group has been redesignated for the Brigade and is at enclosure 2.
2. Also enclosed for your records are:
 - a. A manufacturing drawing of the SSI (TIOH Drawing A-1-1102)(encl 3).
 - b. The SSI in full color, subdued and black and white line drawing (encl 4).
 - c. Copies of the manufacturing drawing, the black and white line drawing, color print and actual size copy of the DUI (encls 5-8).
 - d. Color image of the Brigade flag (encl 9).
3. The SSI is a quality-controlled heraldic item and may not be procured until the development samples are approved by this Institute. You will be notified when development has been completed, normally within 90 days. The POC for SSI development is Mrs. Sherry O'Connor by telephone at DSN 656-4982, Commercial (703) 806-4982 or by email at sherry.a.oconnor.civ@mail.mil.
4. The DUI may be procured from any of the certified manufacturers on the enclosed list (encl 10). A fact sheet concerning local procurement procedures is at enclosure 11.
5. The U.S. Army Tank-Automotive and Armaments Command is responsible for the procurement of flags. To obtain your Command flag, complete DD Form 1348-6 on line at www.heraldry.army.mil; citing TIOH Drawing No. 5-1-310 and A-1-1102 in the remarks section. POC at the Clothing and Heraldry Office is Ms. Franklin, DSN 444-2515 or COMM (215) 737-2515.

11 Encls
as


CHARLES V. MUGNO
Director



REPLY TO
ATTENTION OF

DEPARTMENT OF THE ARMY

THE INSTITUTE OF HERALDRY
9325 GUNSTON ROAD, ROOM S112
FORT BELVOIR, VIRGINIA 22060-5579

AAHS-IHS (840-10a)

JUL 30 2015

MEMORANDUM FOR Commander, 116th Military Intelligence Brigade, ATTN: CSM Andrew M. Woods, 711 Chamberlain Avenue, Bldg. 24701, Fort Gordon, GA 30905

SUBJECT: Shoulder Sleeve Insignia for the 116th Military Intelligence Brigade

1. A shoulder sleeve insignia is authorized effective 16 October 2015, for the 116th Military Intelligence Brigade. The description and symbolism of the design are as follows:

DESCRIPTION

On a light blue vertical rectangle arched at the top and bottom, a yellow triangle throughout, behind a light blue demi-sphere issuing from base, gridlined yellow, overall surmounted in the center by a black sword, point up, between two red lightning bolts superimposed on each side of the triangle; all within a 1/8 inch (.32 cm) yellow border. The overall dimensions are 3 1/4 inches (8.26 cm) in height and 2 1/8 inches (5.40 cm) in width.

SYMBOLISM

Oriental blue is the primary branch color for Military Intelligence. The yellow triangle alludes to the Brigade's aerial surveillance, reconnaissance and target acquisition. The lightning bolts symbolize the unit's electronic warfare functions to disseminate intelligences. The demi-sphere signifies the Brigade's worldwide capabilities to collect intelligence in support of Army Unified Land Operations and Joint requirements. The sword represents the aggressiveness, protection and physical threat apparent in military intelligence operations.

2. This authorization is in accordance with AR 670-1 and United States Army Intelligence and Security Command Permanent Orders 005-02, dated 5 January 2015. A copy of this letter will become part of your permanent organizational history file.


CHARLES V. MUGNO
Director

CF: CMH

Encl 1



REPLY TO
ATTENTION OF

DEPARTMENT OF THE ARMY
THE INSTITUTE OF HERALDRY
9325 GUNSTON ROAD, ROOM S112
FORT BELVOIR, VIRGINIA 22060-5579

AAHS-IHS (840-10a)

JUL 30 2015

MEMORANDUM FOR Commander, 116th Military Intelligence Brigade, ATTN: CSM Andrew M. Woods, 711 Chamberlain Avenue, Bldg. 24701, Fort Gordon, GA 30905

SUBJECT: Distinctive Unit Insignia for the 116th Military Intelligence Brigade

1. The distinctive unit insignia (DUI) redesignated effective 16 October 2015, for the 116th Military Intelligence Brigade and amended to update the description and symbolism, was **originally authorized** for the 116th Military Intelligence Group by letter AGAH-A, The Institute of Heraldry, 31 December 1968.
2. The description and symbolism of the design are as follows:

DESCRIPTION

A gold color metal and enamel device 1 1/4 inches (3.18 cm) in height consisting of an oriental blue disc within a scarlet military belt buckled and edged with gold and inscribed in gold letters "VIGIL PROMPTUSQUE" issuing from the inner edge of the military belt downward over the blue disc a demi-sun emitting seven rays all gold; surmounted by a representation of the Washington Monument in the District of Columbia, white shaded gray, the Monument issuing from the lower inner edge of the belt and extending between the two words of the inscription beyond the top outer edge.

SYMBOLISM

Oriental blue and silver gray are Military Intelligence Branch colors. The sun and rays are taken from the shoulder sleeve insignia of the U.S. Army Intelligence Command. They stand for light and knowledge and indicate the Group served under that organization. The military belt refers to the encircling band of security provided by Military Intelligence and denotes the military nature of the unit. The Washington Monument stands for the District of Columbia, the place where the organization was activated in 1946 and its initial area assignment.

AAHS-HIS (840-10a)

SUBJECT: Distinctive Unit Insignia for the 116th Military Intelligence Brigade

3. This authorization is in accordance with AR 670-1 and United States Army Intelligence and Security Command Permanent Orders 005-02, dated 5 January 2015. A copy of this letter will become part of your permanent organizational history files.


CHARLES V. MUGNO
Director

CF: CMH

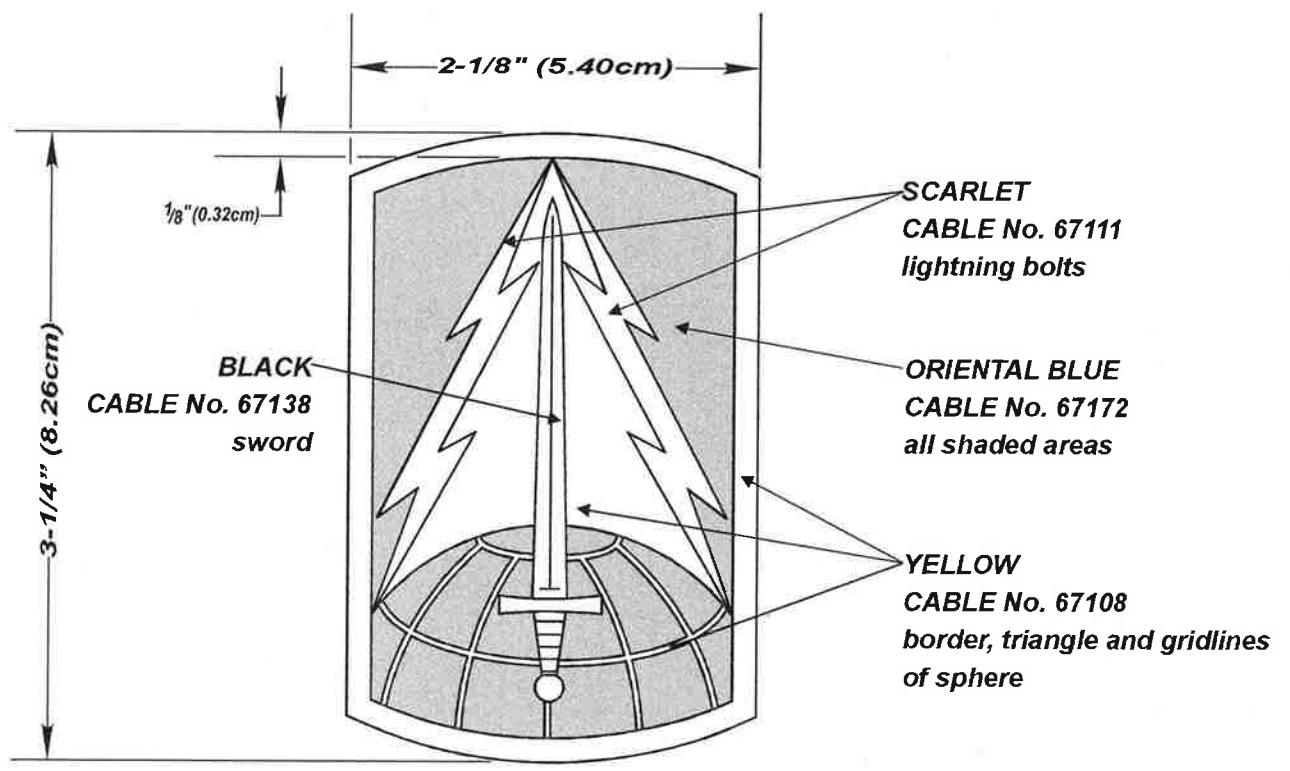
FOR SUBDUED INSIGNIA

ACU-UCP:
 YELLOW TRIANGLE AND BLUE AREAS TO BE FOLIAGE GREEN 67202. BORDER, GRIDLINES, RED AND BLACK AREAS TO BE BLACK 67138.

ACU-OCP:
 YELLOW TRIANGLE AND BLUE AREAS TO BE BAGBY GREEN 67204. BORDER, GRIDLINES, RED AND BLACK AREAS TO BE BLACK 67138.

REVISIONS

LTR	DESCRIPTION	DATE	APPROVED
-----	-------------	------	----------



DESIGNED FOR OVEREDGE STITCHING
STITCH COUNT
STITCHES 7447 (MINIMUM)
DENIER 90/2
SPAN 12/4

UNLESS OTHERWISE SPECIFIED DIMENSIONS ARE IN INCHES TOLERANCES ON FRACTIONS DECIMALS ANGLES

MATERIALS:
 TO BE MANUFACTURED IN ACCORDANCE WITH MIL-DTL-14652

THE INSTITUTE OF HERALDRY, DEPARTMENT OF THE ARMY
 9325 GUNSTON RD, RM S-113 FORT BELVOIR, VA 22060-5579

EXAMINED	TLC	
CHECKED	CA	SAO
PREPARED	CA	

SHOULDER SLEEVE INSIGNIA
116TH MILITARY INTELLIGENCE BRIGADE

APPROVED

 CHARLES V. MUGNO
 DIRECTOR

SIZE	CONTROL IDENT. NO	A - 1 - 1102
A	22571	
SCALE	FULL	DATE
		27 NOVEMBER 2015

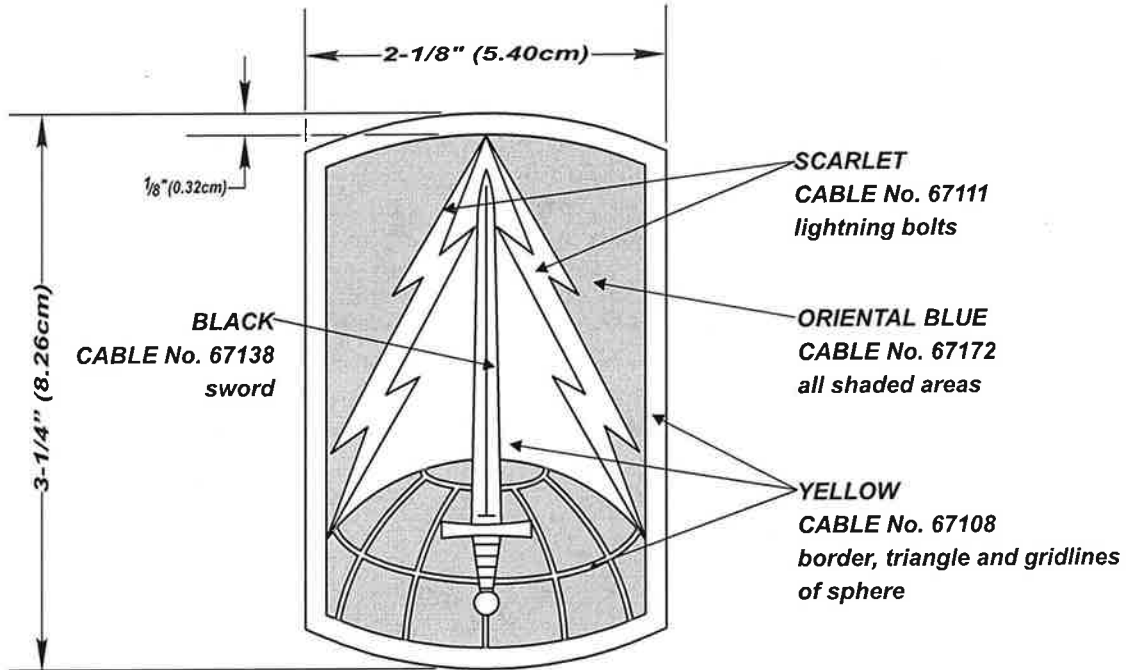
FOR SUBDUED INSIGNIA

ACU:
 YELLOW TRIANGLE AND BLUE AREAS TO BE FOLIAGE GREEN 67202. BORDER, GRIDLINES, RED AND BLACK AREAS TO BE BLACK 67138.

OCP:
 YELLOW TRIANGLE AND BLUE AREAS TO BE BAGBY GREEN 67204. BORDER, GRIDLINES, RED AND BLACK AREAS TO BE BLACK 67138.

REVISIONS

LTR	DESCRIPTION	DATE	APPROVED
-----	-------------	------	----------



DESIGNED FOR OVEREDGE STITCHING

UNLESS OTHERWISE SPECIFIED DIMENSIONS ARE IN INCHES TOLERANCES ON FRACTIONS DECIMALS ANGLES

MATERIALS:
 TO BE MANUFACTURED IN ACCORDANCE WITH MIL-DTL-14652

EXAMINED	TLC	
CHECKED	CA	SAO
PREPARED	CA	

APPROVED
Charles V. Mugno
 CHARLES V. MUGNO
 DIRECTOR

THE INSTITUTE OF HERALDRY, DEPARTMENT OF THE ARMY
 9325 GUNSTON RD, RM S-113 FORT BELVOIR, VA 22060-5579

SHOULDER SLEEVE INSIGNIA
116TH MILITARY INTELLIGENCE BRIGADE

SIZE	CONTROL IDENT. NO	A - 1 - 1102
A	22571	
SCALE	FULL	DATE
		22 JULY 2015

SHOULDER SLEEVE INSIGNIA
116TH MILITARY INTELLIGENCE BRIGADE



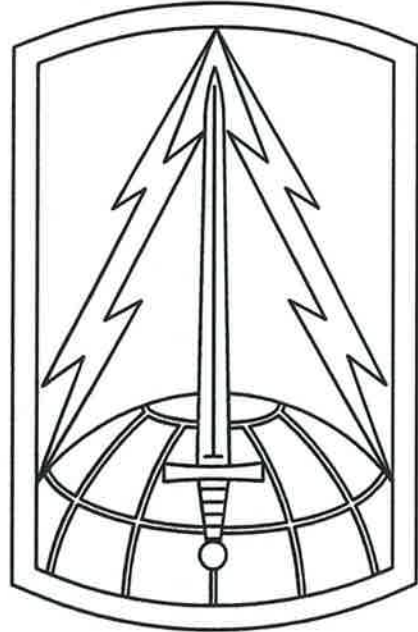
COLOR



ACU



OCP-BAGBY



LINE

THE INSTITUTE OF HERALDRY
DEPARTMENT OF THE ARMY
9325 GUNSTON ROAD, ROOM S113
FORT BELVOIR, VIRGINIA 22060-5579

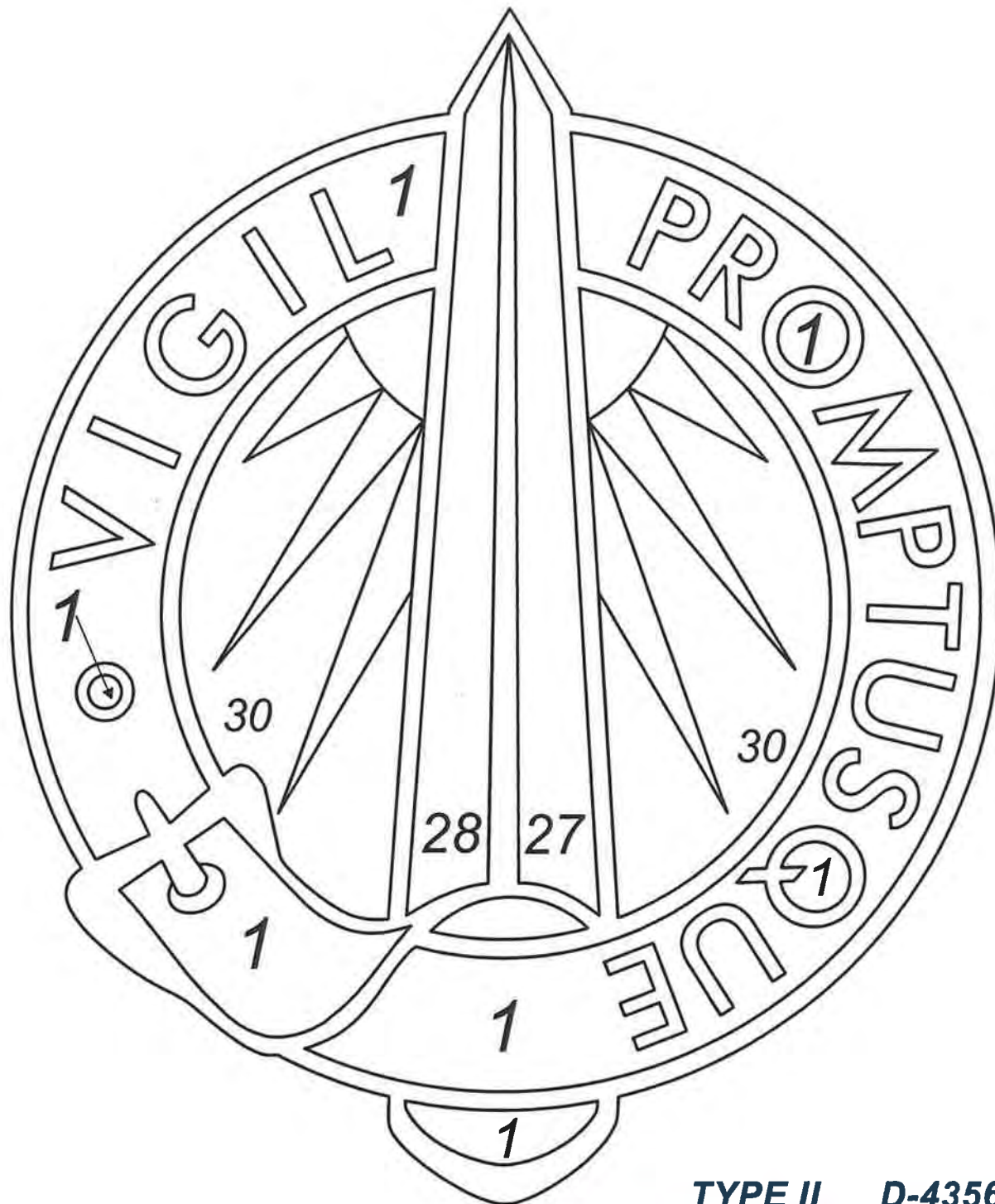


APPROVED

JUL 30 2015

Charles V. Mugno

CHARLES V. MUGNO
DIRECTOR



TYPE II D-4356

116TH MILITARY INTELLIGENCE BRIGADE

****This Drawing is 6X Actual size****

ACTUAL SIZE-----1 1/4" ± 1/64" High (3.18cm ± .04cm)

METAL COLOR

& PLATING-----Gold

FINISH-----Mirror-like polish

DESIGN:

CHARGES-----Flush, details incised

LETTERING-----Finished metal

PIERCING-----None

EPOXY-----Stoning

CHIP Nos-----Red #1, Gray #27, White #28, Blue #30

For Color Placement Only
Not For Color Match

APPROVED JUL 30 2015
 THE INSTITUTE OF HERALDRY
 DEPARTMENT OF THE ARMY

CHARLES V. MUGNO
 DIRECTOR



116TH MILITARY INTELLIGENCE BRIGADE

****This Drawing is 6X Actual size****

ACTUAL SIZE-----1 1/4" ± 1/64" High (3.18cm ± .04cm)

METAL COLOR
& PLATING-----Gold
FINISH-----Mirror-like polish

DESIGN:
CHARGES-----Flush, details incised

LETTERING-----Finished metal
PIERCING-----None

EPOXY-----Stoning

CHIP Nos-----Red #1, Gray #27, White #28, Blue #30

TYPE II D-4356

For Color Placement Only
Not For Color Match

APPROVED **JUL 30 2015**
THE INSTITUTE OF HERALDRY
DEPARTMENT OF THE ARMY

CHARLES V. MUGNO
DIRECTOR



116TH MILITARY INTELLIGENCE BRIGADE

****This Drawing is 6X Actual size****

ACTUAL SIZE-----1 1/4" ± 1/64" High (3.18cm ± .04cm)

METAL COLOR
& PLATING-----Gold
FINISH-----Mirror-like polish

DESIGN:
CHARGES-----Flush, details incised

LETTERING-----Finished metal
PIERCING-----None

EPOXY-----Stoning

CHIP Nos-----Red #1, Gray #27, White #28, Blue #30

TYPE II D-4356

For Color Placement Only
Not For Color Match

JUL 30 2015

APPROVED
THE INSTITUTE OF HERALDRY
DEPARTMENT OF THE ARMY

CHARLES V. MUGNO
DIRECTOR



THE INSTITUTE OF HERALDRY

9325 GUNSTON ROAD

FORT BELVOIR, VIRGINIA 22060-5579

DISTINCTIVE UNIT INSIGNIA

116TH MILITARY INTELLIGENCE BRIGADE

20 JULY 2015



CoALFORD

Enc 8





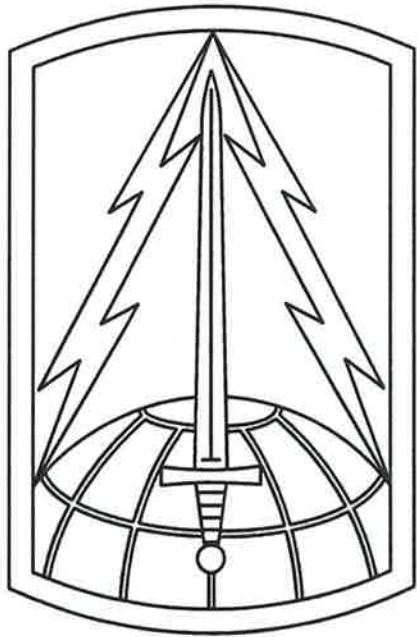
COLOR



ACU



OCP-BAGBY



LINE

**SUGGESTED DESIGN
SHOULDER SLEEVE INSIGNIA
116TH MILITARY INTELLIGENCE BRIGADE**