



REPLY TO
ATTENTION OF

DEPARTMENT OF THE ARMY
THE INSTITUTE OF HERALDRY
9325 GUNSTON ROAD, ROOM S112
FORT BELVOIR, VIRGINIA 22060-5579

AAHS-IHS (840-10a)

AUG 24 2015

MEMORANDUM FOR Commander, US Army Cyber Center of Excellence, ATTN:
SGM William C. Evans, Fort Gordon, GA 30905-5735

SUBJECT: Shoulder Sleeve Insignia for the United States Army Cyber Center of
Excellence

1. The authorization letter for the shoulder sleeve insignia (SSI) of the United States Army Cyber Center of Excellence is at enclosure 1.
2. Enclosed for your use and retention are:
 - a. A copy of the manufacturing drawing of the SSI (TIOH Drawing A-1-1104)(encl 2).
 - b. The SSI in full color, ACU subdued and black and white line drawing (encl 3).
3. The SSI is a quality-controlled heraldic item and may not be procured until the development samples are approved by this Institute. You will be notified when development has been completed, normally within 90 days. The POC for SSI development is Mrs. Sherry O'Connor by telephone at DSN 656-4982, Commercial (703) 806-4982 or by email at sherry.a.oconnor.civ@mail.mil.
4. The U.S. Army Tank-Automotive and Armaments Command is responsible for the procurement of flags. To obtain the Center flag and guidon, complete DD Form 1348-6 on line at www.heraldry.army.mil; citing TIOH Drawing No. 5-1-76, Line 20 and A-1-1104 in the remarks section. The NCOA flag can also be obtained by citing TIOH Drawing 5-1-546, Line 17. POC at the Clothing and Heraldry Office is Ms. Franklin, DSN 444-2515 or COMM (215) 737-2515.

3 Encls
as


CHARLES V. MUGNO
Director



REPLY TO
ATTENTION OF

DEPARTMENT OF THE ARMY
THE INSTITUTE OF HERALDRY
9325 GUNSTON ROAD, ROOM S112
FORT BELVOIR, VIRGINIA 22060-5579

AAHS-IHS (840-10a)

AUG 24 2015

MEMORANDUM FOR Commander, US Army Cyber Center of Excellence, ATTN:
SGM William C. Evans, Fort Gordon, GA 30905-5735

SUBJECT: Shoulder Sleeve Insignia for the United States Army Cyber Center of Excellence

1. A shoulder sleeve insignia is authorized effective 1 October 2015, for the United States Army Cyber Center of Excellence. The description and symbolism of the design are as follows:

DESCRIPTION

On a steel gray irregular shaped heptagon 3 1/8 inches (7.94 cm) in height and 2 3/4 inches (6.99 cm) in width, a gray demi-sphere issuing from base with black gridlines, below a gray horizontal sword, point to the left, the blade emitting three stylized red flames edged orange all within a 1/8 inch (.32 cm) orange border.

SYMBOLISM

Steel gray is the color traditionally associated with the Cyber branch. Orange is the color used by Signal units. The combination of the two branches symbolize the missions foreign and domestic. The heptagon represents the basis of the seven Army warfighting functions and the support provided by the Cyber Center. The gridlined demi-sphere denotes the Cyber Center of Excellence sustainment of the Army's global operations. The sword suggests both the defensive and offensive nature of Army Cyber duties. The flames signify the everlasting guiding light for training and knowledge.

2. This authorization is in accordance with AR 670-1 and Headquarters, United States Army Training and Doctrine Command Permanent Orders 189-26, dated 8 July 2015. A copy of this letter will become part of your permanent organizational history file.


CHARLES V. MUGNO
Director

CF: CMH

FOR SUBDUED INSIGNIA

ACU - UCP:

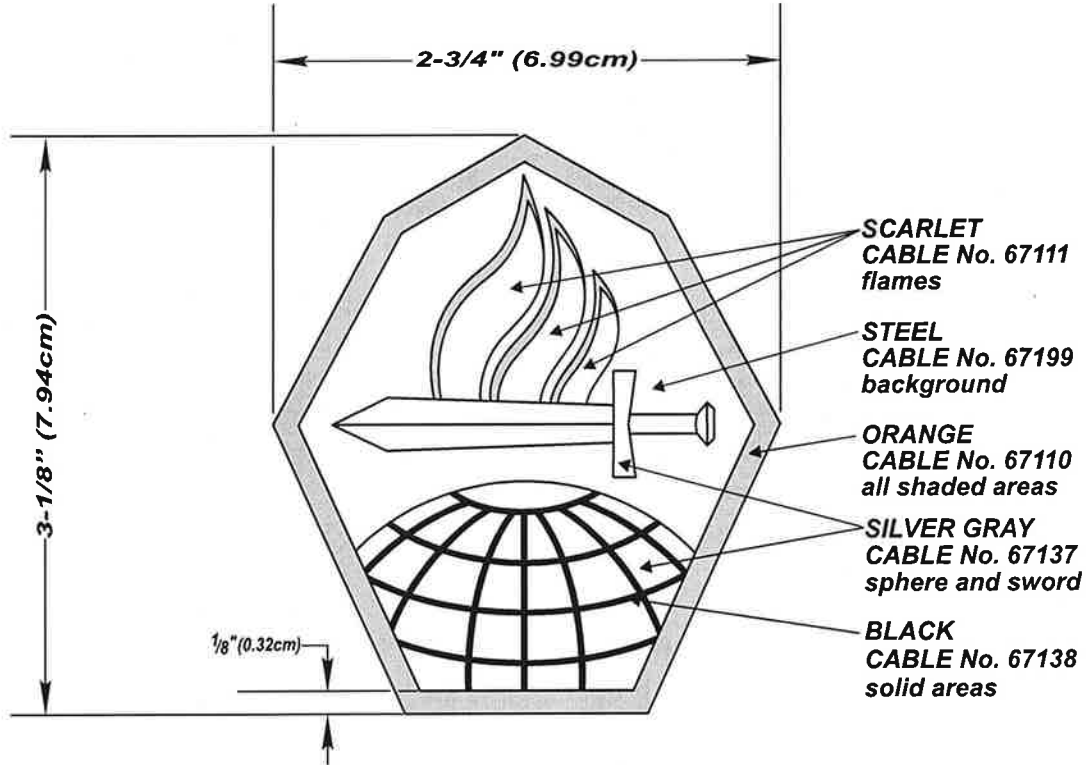
ORANGE, BLACK AND DARK GRAY AREAS TO BE FOLIAGE GREEN 67202. BORDER, RED AND LIGHT GRAY AREAS TO BE BLACK 67138.

ACU - OCP:

ORANGE, BLACK AND DARK GRAY AREAS TO BE BAGBY GREEN 67204. BORDER, RED AND LIGHT GRAY AREAS TO BE BLACK 67138.

REVISIONS

LTR	DESCRIPTION	DATE	APPROVED
A-D	STITCH COUNT ADDED; DESIGNATION AND SUBDUED NOTES CORRECTED	8 FEB. 2016	<i>CA TLO SAO</i> <i>Charles V. Mugno</i> CHARLES V. MUGNO DIRECTOR



DESIGNED FOR OVEREDGE STITCHING
STITCH COUNT
STITCHES 5034 (MINIMUM)
DENIER 90/2
SPAN 12/4

UNLESS OTHERWISE SPECIFIED DIMENSIONS ARE IN INCHES TOLERANCES ON FRACTIONS DECIMALS ANGLES

MATERIALS:
TO BE MANUFACTURED IN ACCORDANCE WITH MIL-DTL-14652

EXAMINED	TLO	
CHECKED	CA	SAO
PREPARED	CA	
APPROVED	<i>Charles V. Mugno</i> CHARLES V. MUGNO DIRECTOR	

THE INSTITUTE OF HERALDRY, DEPARTMENT OF THE ARMY
9325 GUNSTON RD, RM S-113 FORT BELVOIR, VA 22060-5579

SHOULDER SLEEVE INSIGNIA
CYBER CENTER
OF EXCELLENCE

SIZE	CONTROL IDENT. NO	A - 1 - 1104
A	22571	
SCALE	FULL	DATE
		20 AUGUST 2015

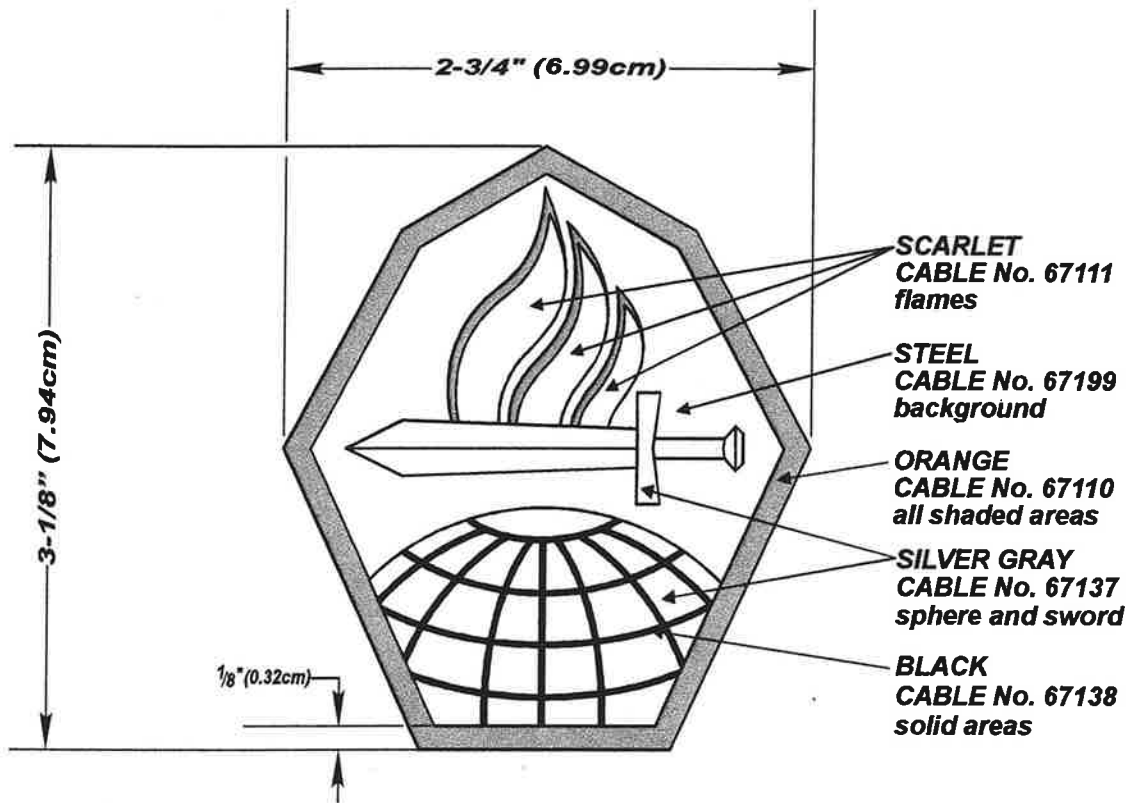
FOR SUBDUED INSIGNIA

ACU:
 ORANGE, BLACK AND DARK GRAY AREAS TO BE FOLIAGE GREEN 67202. BORDER, RED AND LIGHT GRAY AREAS TO BE BLACK 67138.

OCP:
 ORANGE, BLACK AND DARK GRAY AREAS TO BE BAGBY GREEN 67204. BORDER, RED AND LIGHT GRAY AREAS TO BE BLACK 67138.

REVISIONS

LTR	DESCRIPTION	DATE	APPROVED
-----	-------------	------	----------



DESIGNED FOR OVEREDGE STITCHING

UNLESS OTHERWISE SPECIFIED DIMENSIONS ARE IN INCHES TOLERANCES ON FRACTIONS DECIMALS ANGLES

MATERIALS:
 TO BE MANUFACTURED IN ACCORDANCE WITH MIL-DTL-14652

EXAMINED	TLC	
CHECKED	CA	SAD
PREPARED	CA	

APPROVED
Charles V. Mugno
 CHARLES V. MUGNO
 DIRECTOR

THE INSTITUTE OF HERALDRY, DEPARTMENT OF THE ARMY
 9325 GUNSTON RD, RM S-113 FORT BELVOIR, VA 22060-5579

**SHOULDER SLEEVE INSIGNIA
 CYBER CENTER
 FOR EXCELLENCE**

SIZE	CONTROL IDENT. NO	A - 1 - 1104
A	22571	

SCALE FULL DATE 20 AUGUST 2015

SHOULDER SLEEVE INSIGNIA
CYBER CENTER OF EXCELLENCE



ACU



ACU



OCP-BAGBY



LINE

THE INSTITUTE OF HERALDRY
DEPARTMENT OF THE ARMY
9325 GUNSTON ROAD, ROOM S 113
FORT BELVOIR, VIRGINIA 22060-5579



APPROVED

AUG 24 2015

Charles V. Mugno
CHARLES V. MUGNO
DIRECTOR



ACU



ACU

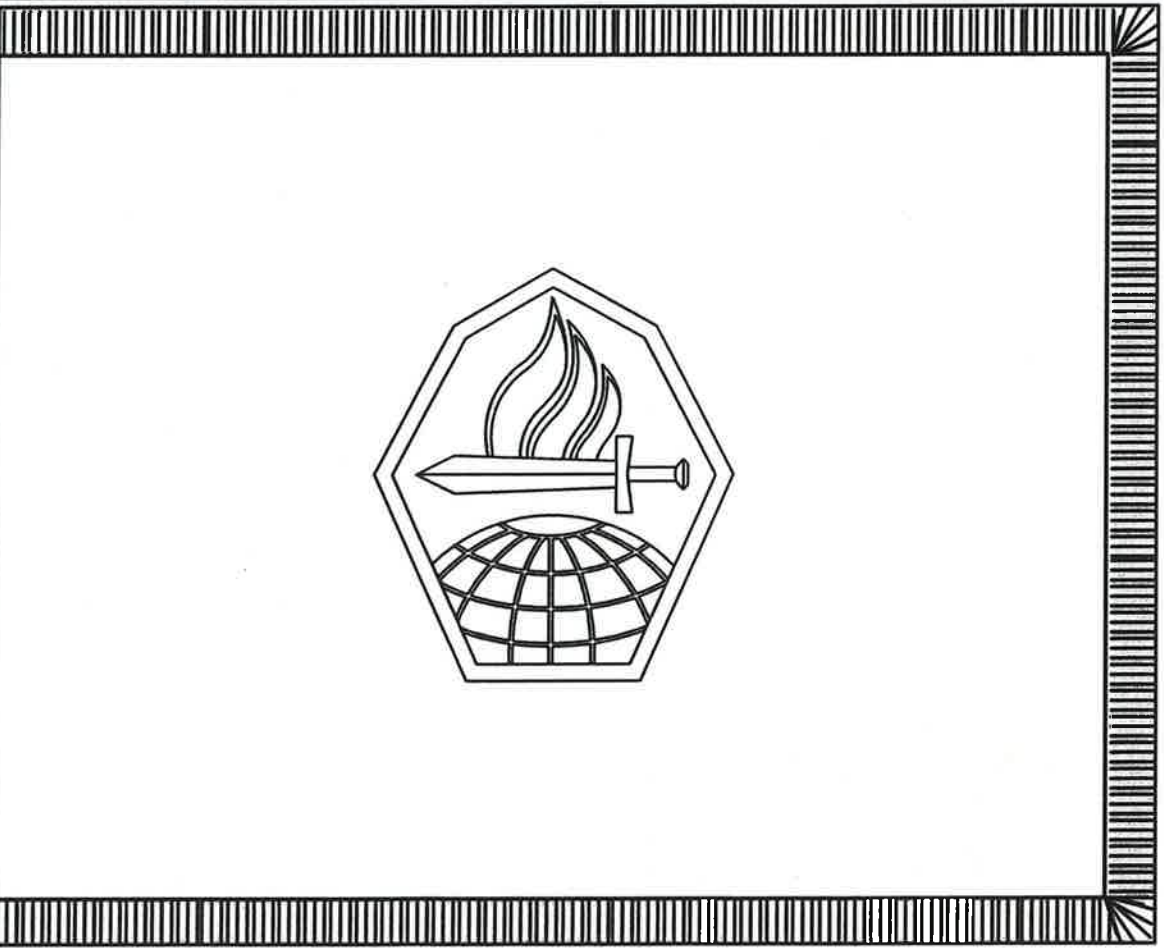
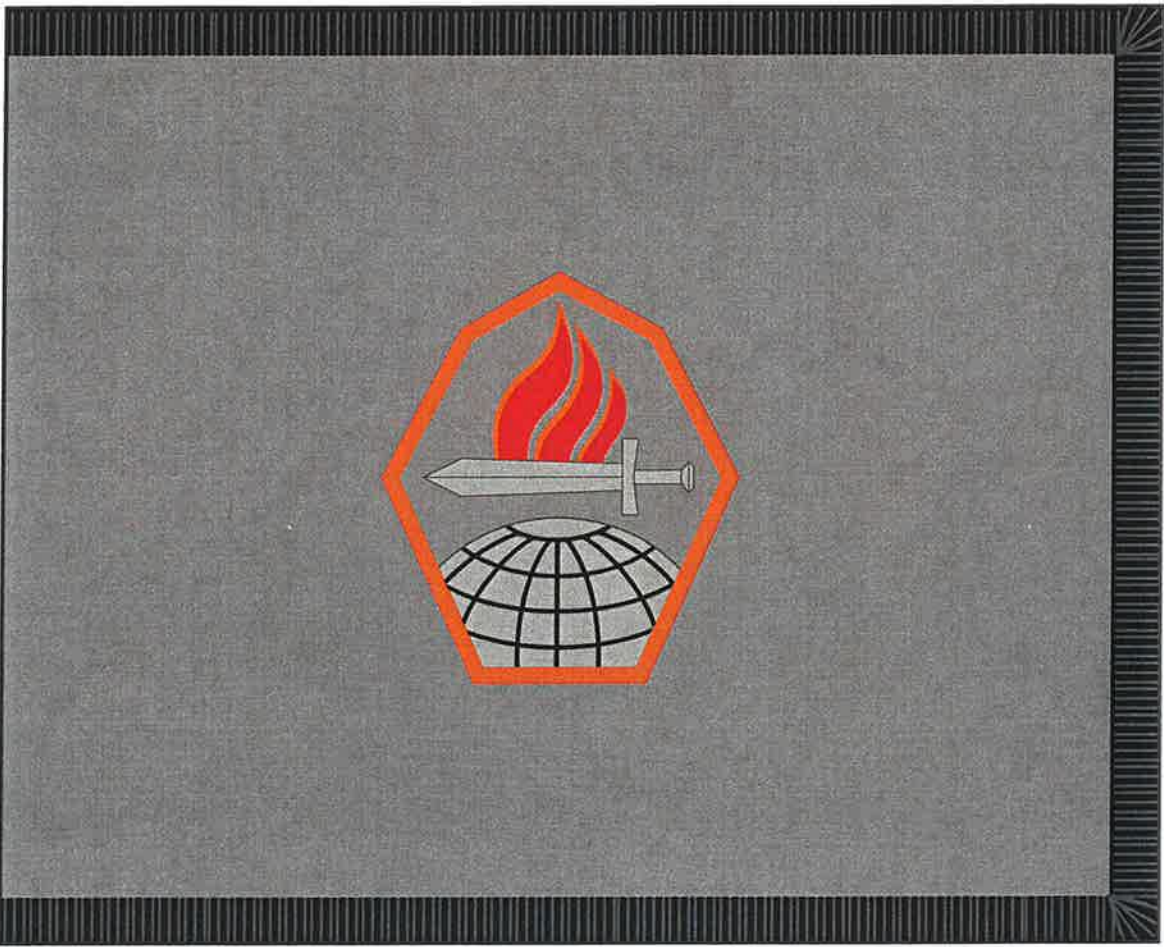


OCP-BAGBY

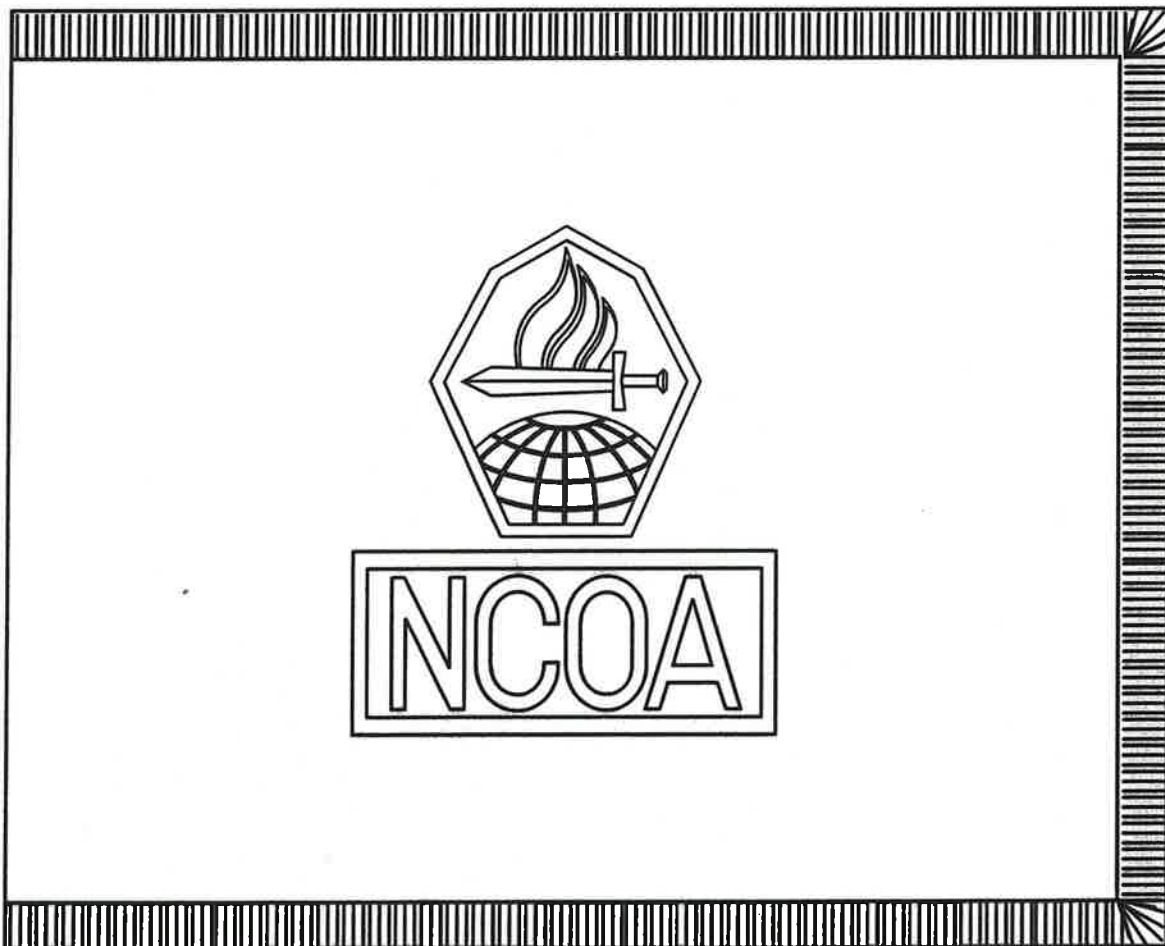


LINE

**SHOULDER SLEEVE INSIGNIA
CYBER CENTER OF EXCELLENCE**



FLAG
CYBER CENTER OF EXCELLENCE



FLAG
CYBER CENTER OF EXCELLENCE