



REPLY TO
ATTENTION OF

DEPARTMENT OF THE ARMY
THE INSTITUTE OF HERALDRY
9325 GUNSTON ROAD, ROOM S112
FORT BELVOIR, VIRGINIA 22060-5579

AAMH-IHS (840-10a)

OCT 09 2015

MEMORANDUM FOR Commander, 706th Military Intelligence Group, ATTN: IAGG-
CDR (LTC Peter Knight), Fort Gordon, GA 30905-5320

SUBJECT: . Shoulder Sleeve Insignia for the 706th Military Intelligence Group

1. The authorization letter for the shoulder sleeve insignia (SSI) of the 706th Military Intelligence Group is at enclosure 1.
2. Enclosed for your use and retention are:
 - a. A copy of the manufacturing drawing of the SSI (TIOH Drawing A-1-1106)(encl 2).
 - b. The SSI in full color, subdued and black and white line drawing (encl 3).
3. The SSI is a quality-controlled heraldic item and may not be procured until the development samples are approved by this Institute. You will be notified when development has been completed, normally within 90 days. The POC for SSI development is Mrs. Sherry O'Connor by telephone at DSN 656-4982, Commercial (703) 806-4982 or by email at sherry.a.oconnor.civ@mail.mil.

3 Encls
as


CHARLES V. MUGNO
Director



REPLY TO
ATTENTION OF

DEPARTMENT OF THE ARMY

THE INSTITUTE OF HERALDRY
9325 GUNSTON ROAD, ROOM S112
FORT BELVOIR, VIRGINIA 22060-5579

AAMH-IHS (840-10a)

OCT 09 2015

MEMORANDUM FOR Commander, 706th Military Intelligence Group, ATTN: IAGG-
CDR (LTC Peter Knight), Fort Gordon, GA 30905-5320

SUBJECT: Shoulder Sleeve Insignia for the 706th Military Intelligence Group

1. A shoulder sleeve insignia is authorized effective this date for the 706th Military Intelligence Group. The description and symbolism of the design are as follows:

DESCRIPTION

On a shield-shaped embroidered item 3 1/4 inches (8.26 cm) in height and 2 3/4 inches (6.99 cm) in width overall blazoned as follows: Sable, issuing from base a demi-sphere Celeste gridlined of the first, surmounted by a key fesswise wards to sinister and downwards Or, in chief a pair of lightning bolts chevronwise points to base Argent, issuing from a spearhead erect Gris; bearing a torch of the third enflamed Proper, all within a diminished bordure Or.

SYMBOLISM

The gridlined sphere expresses the worldwide reach of the Group. The key illustrates the ability to overcome obstacles, as well as being a symbol of military intelligence. The lightning bolts represent speed in responding to the needs of the mission; their symmetry is a reflection of precision and balance between being Soldiers as well as assets to the agency. The spearhead alludes to the frontline and driving force of the intelligence mission. The torch symbolizes the everlasting desire to better the mission capabilities as well as illumination of knowledge and skills.

2. This authorization is in accordance with AR 670-1. A copy of this letter will become part of your permanent organizational history file.


CHARLES V. MUGNO
Director

CF: CMH

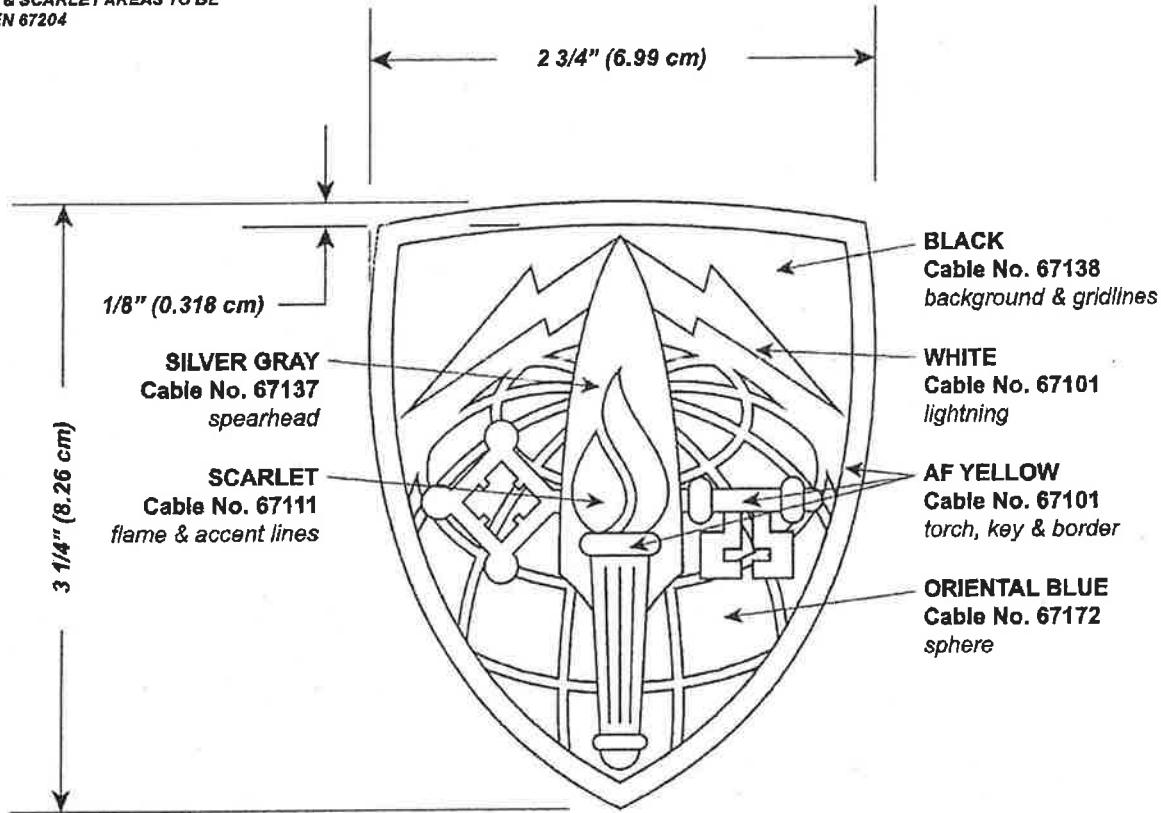
FOR SUBDUED INSIGNIA

ACU-UCP:
BLACK AREAS, YELLOW AREAS & GRAY AREAS TO BE BLACK 67138. WHITE AREAS, BLUE AREAS & SCARLET AREAS TO BE FOLIAGE GREEN 67202.

ACU-OCP:
BLACK AREAS, YELLOW AREAS & GRAY AREAS TO BE BLACK 67138. WHITE AREAS, BLUE AREAS & SCARLET AREAS TO BE BAGBY GREEN 67204

REVISIONS

LTR	DESCRIPTION	DATE	APPROVED
-----	-------------	------	----------



DESIGNED FOR OVEREDGE STITCHING

STITCH COUNT

STITCHES 6381 (MINIMUM)
DENIER 90/2
SPAN 12/4

UNLESS OTHERWISE SPECIFIED DIMENSIONS ARE IN INCHES TOLERANCES ON FRACTIONS DECIMALS ANGLES

MATERIALS:
TO BE MANUFACTURED IN ACCORDANCE WITH MIL-DTL-14652

EXAMINED	TLC	
CHECKED	CA	SAO
PREPARED	AWW	

APPROVED
Charles V. Mugno
CHARLES V. MUGNO
DIRECTOR

THE INSTITUTE OF HERALDRY, DEPARTMENT OF THE ARMY
9325 GUNSTON RD, RM S-113 FORT BELVOIR, VA 22060-5579

**SHOULDER SLEEVE INSIGNIA
706TH MILITARY
INTELLIGENCE GROUP**

SIZE	CONTROL IDENT. NO	A-1-1106
A	22571	
SCALE	FULL DATE	6 OCTOBER 2015

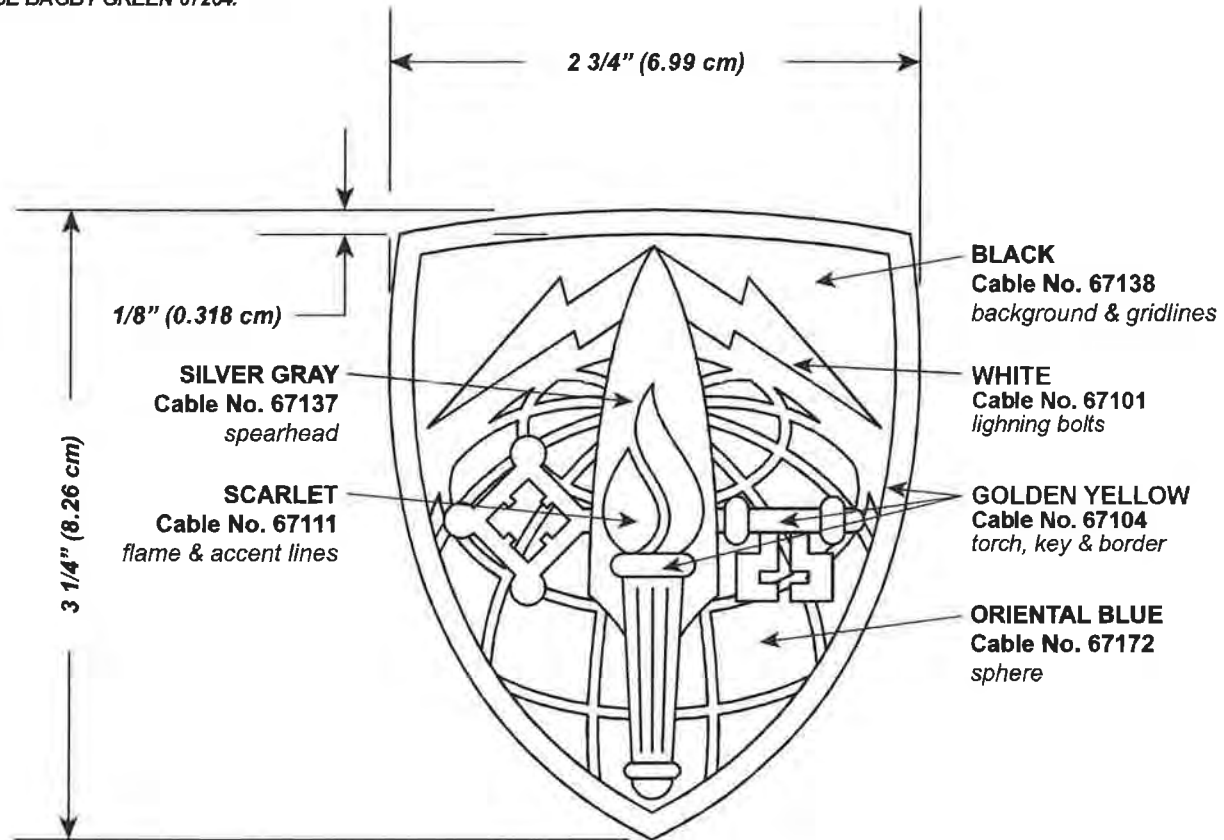
FOR SUBDUED INSIGNIA

ACU-UCP:
 BLACK, YELLOW AND GRAY AREAS TO BE
 BLACK 67138. WHITE, BLUE AND SCARLET
 AREAS TO BE FOLIAGE GREEN 67202.

ACU-OCP:
 BLACK, YELLOW AND GRAY AREAS TO BE
 BLACK 67138. WHITE, BLUE AND SCARLET
 AREAS TO BE BAGBY GREEN 67204.

REVISIONS

LTR	DESCRIPTION	DATE	APPROVED
-----	-------------	------	----------



DESIGNED FOR OVEREDGE STITCHING

UNLESS OTHERWISE SPECIFIED DIMENSIONS ARE IN INCHES TOLERANCES ON FRACTIONS DECIMALS ANGLES	THE INSTITUTE OF HERALDRY, DEPARTMENT OF THE ARMY 9325 GUNSTON RD, RM S-113 FORT BELVOIR, VA 22060-5579		
	EXAMINED	TC	
	CHECKED	CA	5/20
	PREPARED	AWW	
MATERIALS: TO BE MANUFACTURED IN ACCORDANCE WITH MIL-DTL-14652	APPROVED	CHARLES V. MUGNO DIRECTOR	
	SIZE	CONTROL IDENT. NO	
	A	22571	A-1-1106
SCALE		FULL	DATE
			6 OCTOBER 2015



SHOULDER SLEEVE INSIGNIA
706TH MILITARY INTELLIGENCE GROUP



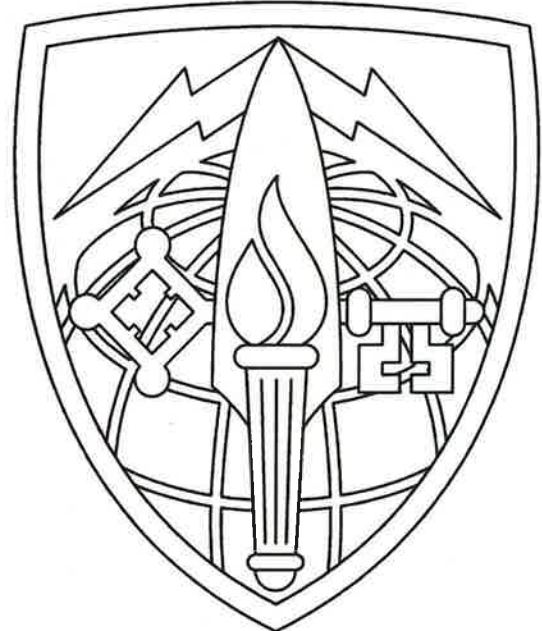
FULL COLOR



ACU



OCP



LINE

THE INSTITUTE OF HERALDRY
DEPARTMENT OF THE ARMY
9325 GUNSTON ROAD, ROOM S113
FORT BELVOIR, VIRGINIA 22060-5579



APPROVED OCT 09 2015

Charles V. Mugno

CHARLES V. MUGNO
DIRECTOR



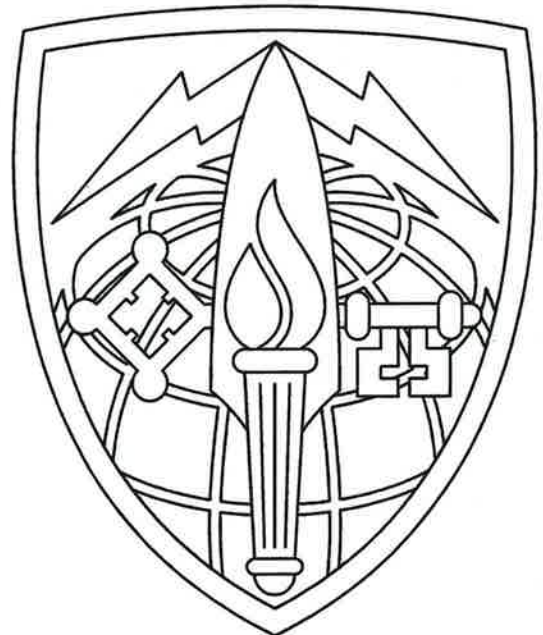
COLOR



ACU



OCP-BAGBY



LINE

**SHOULDER SLEEVE INSIGNIA
706TH MILITARY INTELLIGENCE GROUP**