



DEPARTMENT OF THE ARMY

THE INSTITUTE OF HERALDRY
9325 GUNSTON ROAD, ROOM S113
FORT BELVOIR, VIRGINIA 22060-5579

SAAA-IHS

2 December 2019

MEMORANDUM FOR Commander, 54th Security Force Assistance Brigade,
[REDACTED]

SUBJECT: Authorized Insignia for the 54th Security Force Assistance Brigade

1. The following heraldic items are authorized for the 54th Security Force Assistance Brigade (SFAB), effective 1 September 2018.

a. A shoulder sleeve insignia and tab IAW TIOH Drawing A-1-1122 and 1122A (Encl 1) are to be used for all Security Force Assistance units IAW CSA guidance. The description and symbolism of the design are as follows:

DESCRIPTION

On a shield shaped embroidered item, edged with a 1/8" (0.32cm) gold border blazoned as follows: Gules, between thirteen mullets Argent an arrowhead Azure bearing a sword erect blade of the second, hilt Or. Overall dimensions for the item are 3" (7.62cm) in height by 2" (5.08cm) in width. Attached above the shield, a scarlet tab embroidered item, edged with a 1/8" (0.32cm) gold border, inscribed with "**ADVISOR**" in gold. Overall dimensions for the tab are 2 5/8" (6.67cm) in width by 1" (2.54cm) in height.

SYMBOLISM

The arrowhead shape alludes to leadership and direction as well as a focused approach to all tasks and challenges. The sword conveys force, whether it be offense, defense or the assistance in training partners towards those capabilities. The colors blue and red denote security and authority. The color white highlights the uniqueness of the brigade and their specialized missions. The color gold exemplifies excellence and expertise. The thirteen stars are adapted from the glory in the crest of the United States Arms and recall the thirteen original states. The shape of the shield and sword are reminiscent of the MAC-V insignia to convey a similar mission and heritage.

b. A distinctive unit insignia (Encl 2). The description and symbolism of the design are as follows:

SAAA-IHS

SUBJECT: Authorized Insignia for the 54th Security Force Assistance Brigade

DESCRIPTION

On a shield shaped silver metal and epoxied device 1 1/8" (2.86cm) in height blazoned as follows: Sable, a bend bevilled Argent (Silver) double cottised Gules fimbriated of the second bearing six mullets Azure; overall a sword erect throughout Proper.

SYMBOLISM

The bend is indicative of authority and direction, while cottised and fimbriated to allude to assistance. The beveled aspect suggests adaptability and overcoming adversity. The five white and four red stripes denote the Fifty-Fourth Security Force Assistance Brigade and are in honor of the 54 states and territories the brigade protects. The six stars signify the six Security Force Assistance Brigades and the six states that comprise the brigade elements. The sword conveys force, whether it be offense, defense or the assistance in training partners towards those capabilities. Red, white, and blue are the national colors, symbolic of freedom, independence, and liberty. The color black expresses professionalism and counsel, offering experience, insight, and cooperation. Silver is the color of precision and gold exemplifies excellence.

c. A beret flash IAW TIOH drawing A-4-324.

d. Distinguishing colors IAW AR 840-10, CSA guidance and TIOH drawing 5-6-4234.

2. This authorization is in accordance with AR 670-1, AR 840-10 and ARNG-FM Organizational Authority No. 80-19, dated 1 April 2019. A copy of this letter will become part of your permanent organizational history files.

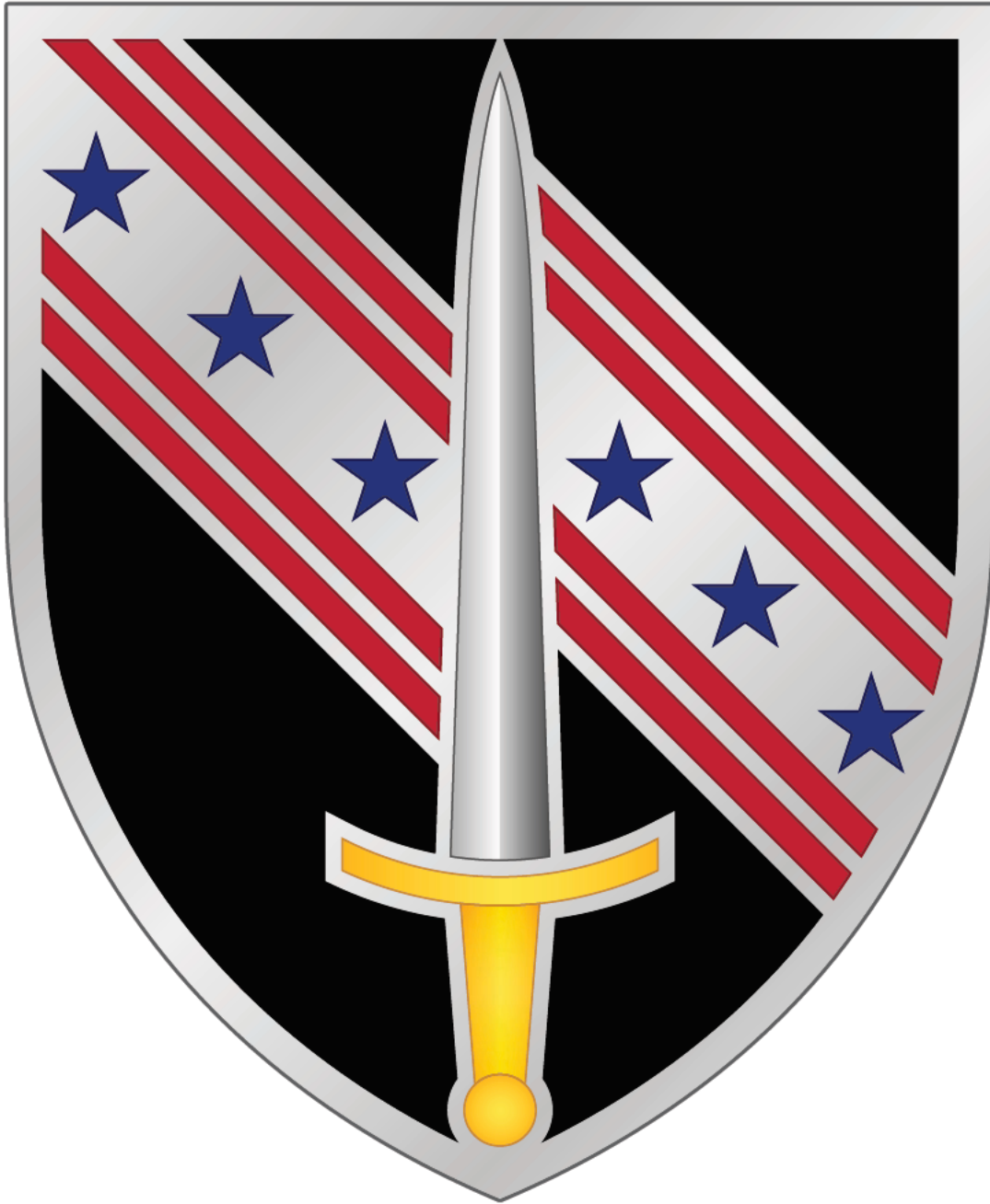
3. Your point of contact for this action is Ms. Jacqueline Hack at jacqueline.hack.civ@mail.mil or 571-515-0321.

MUGNO.CHARLE MUGNO.CHARLES.V.1020
723374
S.V.1020723374 2019.12.02 15:48:23 -05'00'

Encls

CHARLES V. MUGNO
Director

CF:
The U.S. Army Center of Military History
Security Force Assistance Command
National Guard Bureau



54TH SECURITY FORCE ASSISTANCE BRIGADE

TYPE I D-7008

**FOR COLOR PLACEMENT ONLY
NOT FOR COLOR MATCH**

DISTRIBUTION A. APPROVED FOR PUBLIC RELEASE

****This Drawing is 6x-Actual Size****

ACTUAL SIZE-----1 1/8" ± 1/64" High (2.86 cm ± 0.04 cm)

METAL COLOR-----Silver
 PLATING-----Nickel
 FINISH-----Mirror-like polish

DESIGN:
 CHARGES-----Flush, except sword hilt & grip to be recessed & modeled & filled with Transparent Yellow #37

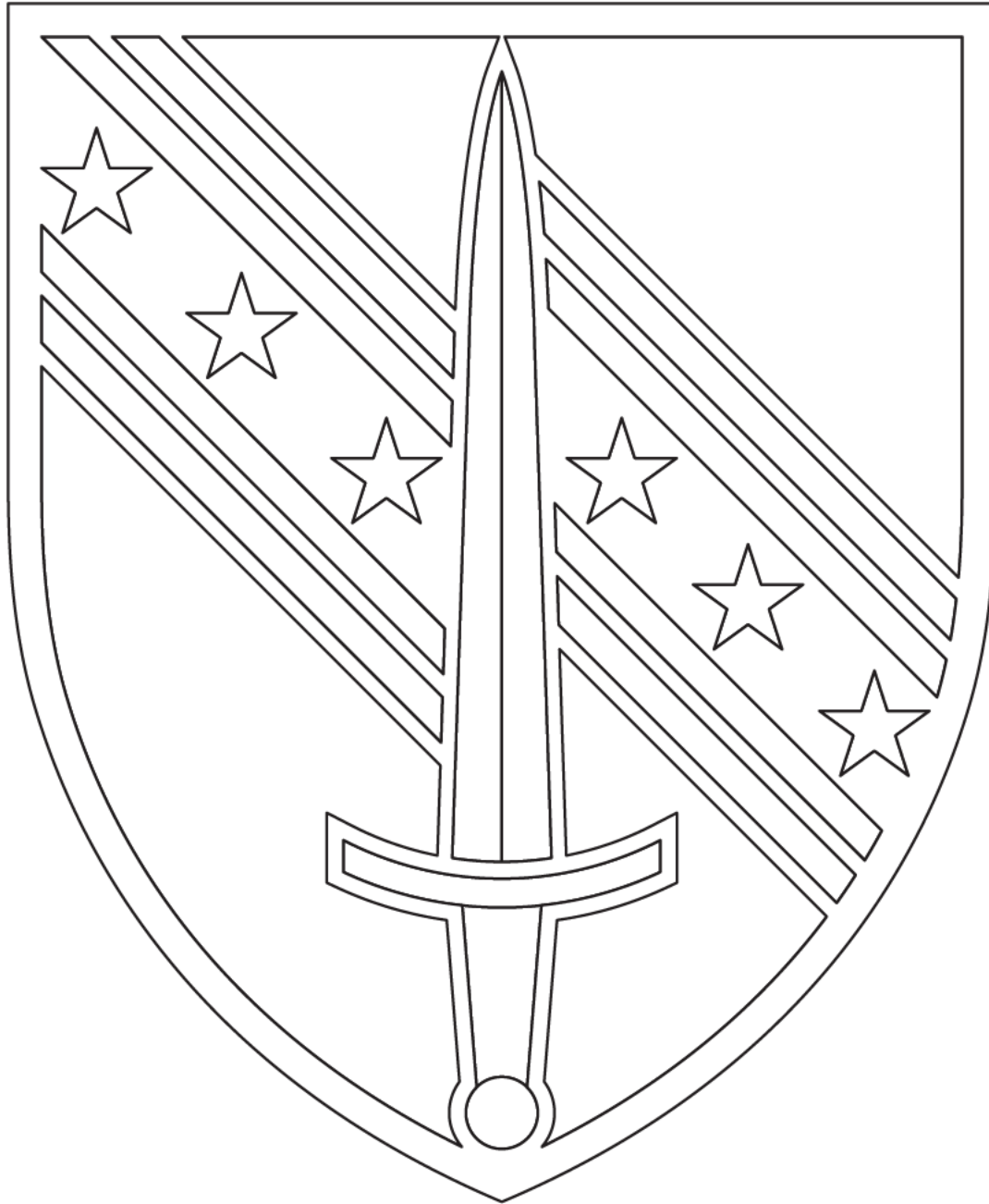
LETTERING-----None
 PIERCING-----None
 EPOXY-----Stoning
 CHIP No's-----Red #1, Blue #18, Black #26, Transparent Yellow #37

APPROVED

*THE INSTITUTE OF HERALDRY,
 DEPARTMENT OF THE ARMY*

MUGNO.CHARLE MUGNO.CHARLES.V.10
 20723374
 S.V.1020723374 2019.10 07 10:56:08
 -04'00'

CHARLES V. MUGNO
DIRECTOR



54TH SECURITY FORCE ASSISTANCE BRIGADE

TYPE I D-7008

****This Drawing is 6x-Actual Size****

ACTUAL SIZE-----1 1/8" ± 1/64" High (2.86 cm ± 0.04 cm)

METAL COLOR-----Silver
 PLATING-----Nickel
 FINISH-----Mirror-like polish

DESIGN:
 CHARGES-----Flush, except sword hilt & grip to be recessed & modeled & filled with Transparent Yellow #37

LETTERING-----None
 PIERCING-----None
 EPOXY-----Stoning
 CHIP No's-----Red #1, Blue #18, Black #26, Transparent Yellow #37

DISTRIBUTION A. APPROVED FOR PUBLIC RELEASE

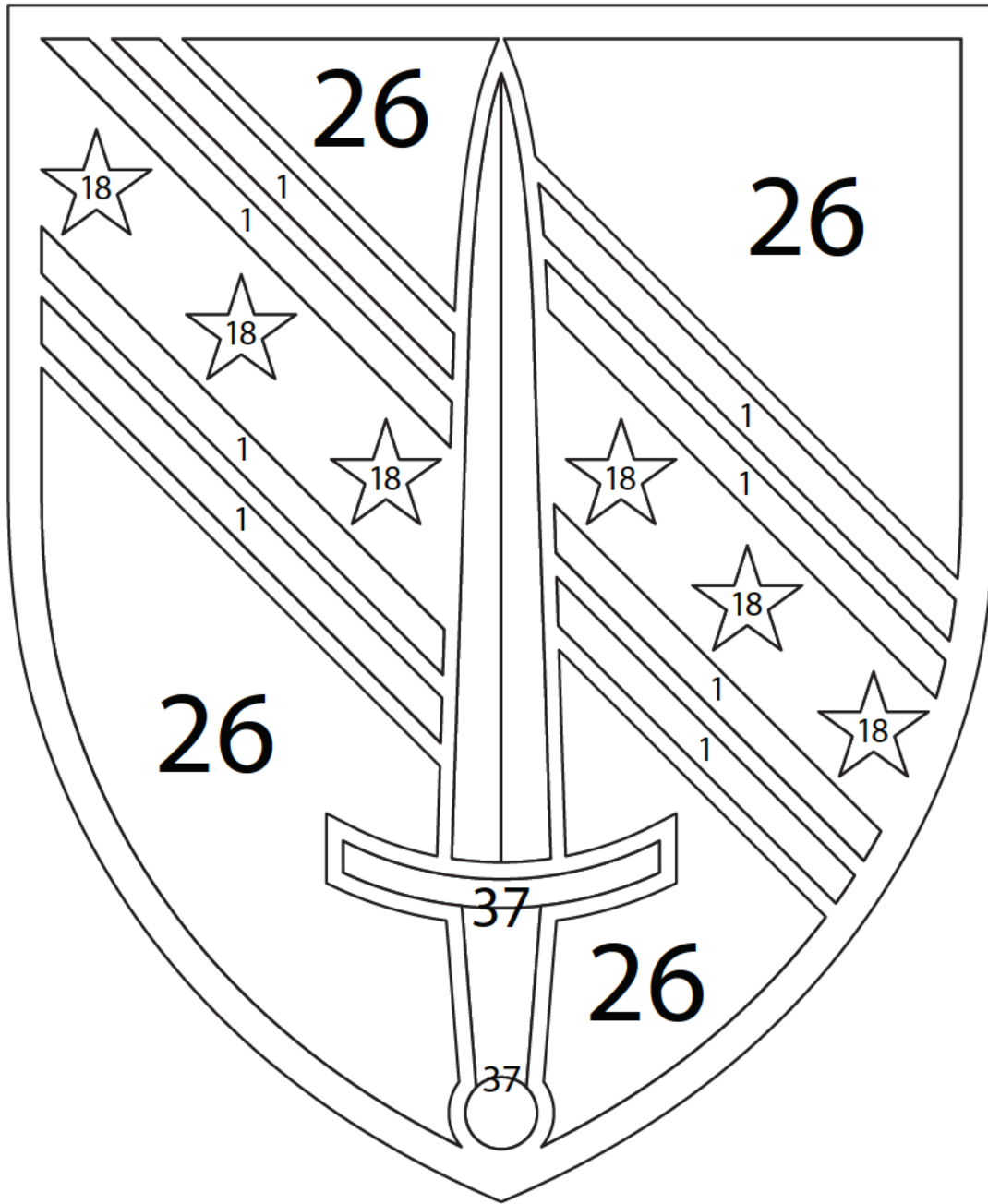
APPROVED

*THE INSTITUTE OF HERALDRY,
 DEPARTMENT OF THE ARMY*

MUGNO.CHARLE MUGNO.CHARLES.V.10
 20723374 20723374
 S.V.1020723374 2019.10.07 10:56:19
 -04'00'

CHARLES V. MUGNO
 DIRECTOR

AWW



54TH SECURITY FORCE ASSISTANCE BRIGADE

TYPE I D-7008

****This Drawing is 6x-Actual Size****

ACTUAL SIZE-----1 1/8" ± 1/64" High (2.86 cm ± 0.04 cm)

METAL COLOR-----Silver
 PLATING-----Nickel
 FINISH-----Mirror-like polish

DESIGN:
 CHARGES-----Flush, except sword hilt & grip to be recessed & modeled & filled with Transparent Yellow #37

LETTERING-----None
 PIERCING-----None
 EPOXY-----Stoning
 CHIP No's-----Red #1, Blue #18, Black #26, Trans.parent Yellow #37

DISTRIBUTION A. APPROVED FOR PUBLIC RELEASE

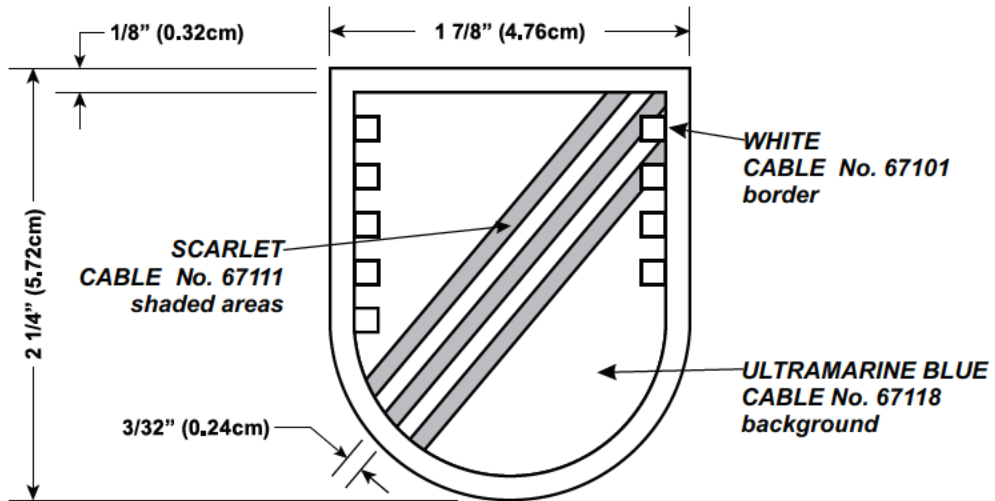
APPROVED

*THE INSTITUTE OF HERALDRY,
 DEPARTMENT OF THE ARMY*

MUGNO.CHARLE 20723374
 S.V.1020723374 2019.10.07 10:56:45
 -04'00'

CHARLES V. MUGNO
 DIRECTOR

REVISIONS



DESIGNED FOR OVEREDGE STITCHING

DISTRIBUTION A. Approved for Public Release

EXAMINED	<i>TLC</i>		THE INSTITUTE OF HERALDRY, DEPARTMENT OF THE ARMY	
CHECKED	<i>CA</i>	<i>SAO</i>	9325 GUNSTON RD, RM S-113 FORT BELVOIR, VA 22060-5579	
PREPARED	AWW		BERET FLASH	
APPROVED	MUGNO.CHARLE S.V.1020723374 MUGNO.CHARLES.V.10 20723374 2019.08.20 15:20:33 -04'00' CHARLESV. MUGNO DIRECTOR		54TH SECURITY FORCE ASSISTANCE BRIGADE	
MATERIALS: TO BE MANUFACTURED IN ACCORDANCE WITH MIL DTL 14652			SIZE	CONTROL IDENT. NO
			A	22571
			SCALE	DATE
			FULL	20 AUGUST 2019
			A - 4 - 324	

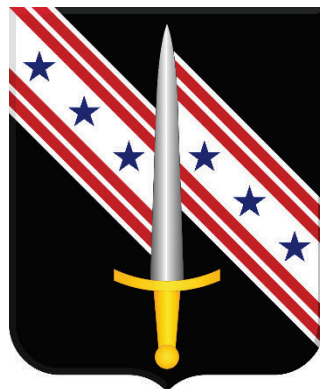
FIFTY-FOURTH SECURITY FORCE ASSISTANCE BRIGADE



DISTINCTIVE UNIT INSIGNIA

Description. On a shield shaped silver metal and epoxied device 1 1/8" (2.86cm) in height blazoned as follows: Sable, a bend bevilled Argent (Silver) double cottised Gules fimbriated of the second bearing six mullets Azure; overall a sword erect throughout Proper.

Symbolism. The bend is indicative of authority and direction, while cottised and fimbriated to allude to assistance. The beveled aspect suggests adaptability and overcoming adversity. The five white and four red stripes denote the Fifty-Fourth Security Force Assistance Brigade and are in honor of the 54 states and territories the brigade protects. The six stars signify the six Security Force Assistance Brigades and the six states that comprise the brigade elements. The sword conveys force, whether it be offense, defense or the assistance in training partners towards those capabilities. Red, white, and blue are the national colors, symbolic of freedom, independence, and liberty. The color black expresses professionalism and counsel, offering experience, insight, and cooperation. Silver is the color of precision and gold exemplifies excellence.



COAT OF ARMS DESCRIPTION

Shield. Sable, a bend bevilled Argent double cottised Gules fimbriated of the second bearing six mullets Azure; overall a sword erect throughout Proper.

FIFTY-FOURTH SECURITY FORCE ASSISTANCE BRIGADE

Crest. None

Motto. Usque Ad Finem, translated to "To the very end"

SYMBOLISM

Shield. The bend is indicative of authority and direction, while cottised and fimbriated to allude to assistance. The beveled aspect suggests adaptability and overcoming adversity. The five white and four red stripes denote the Fifty-Fourth Security Force Assistance Brigade and are in honor of the 54 states and territories the brigade protects. The six stars signify the six Security Force Assistance Brigades and the six states that comprise the brigade elements. The sword conveys force, whether it be offense, defense or the assistance in training partners towards those capabilities. Red, white, and blue are the national colors, symbolic of freedom, independence, and liberty. The color black expresses professionalism and counsel, offering experience, insight, and cooperation. Silver is the color of precision and gold exemplifies excellence.



FLASH

Description. On a shield shaped embroidered item 2 1/4" (5.72cm) in height by 1 7/8" (4.76cm) in width blazoned as follows: Azure, three bendlets sinister Gules; overall a bordure embattled of five to dexter and four to sinister Argent.

Symbolism. The three bendlets are indicative of authority, direction, and partnership working in parallel. The five and four notches inside the border allude to the 54 states and territories the brigade protects. Red, white, and blue are the National colors.