



REPLY TO
ATTENTION OF

DEPARTMENT OF THE ARMY
THE INSTITUTE OF HERALDRY
9325 GUNSTON ROAD, ROOM S112
FORT BELVOIR, VIRGINIA 22060-5579

SEP 06 2016

AAMH-IHS (840-10a)

MEMORANDUM FOR Commander, 29th Infantry Division Band, ATTN: SFC Carr or
SFC Reynolds, Gary Lee Miller Armory, 1000 Dabney Drive, Clifton Forge, VA 24422

SUBJECT: 29th Infantry Division Band Regalia and Tab

1. Your request for a tab for the 29th Infantry Division Band is approved; forwarded for your organizational records is the authorization letter (encl 1).
2. Enclosed for your use and retention are:
 - a. A copy of the manufacturing drawing of the tab (TIOH Drawing A-1-1115)(encl 2).
 - b. The tab in full color and ACU subdued (encls 3 and 4).
3. The tab is a quality-controlled heraldic item and may not be procured until the development samples are approved by this Institute. You will be notified when development has been completed, normally within 90 days. The POC for the tab development is Mrs. Sherry O'Connor by telephone at DSN 656-4982 or Commercial (703) 806-4982 or by email at sherry.a.oconnor.civ@mail.mil.
4. Also enclosed for your organizational records is color artwork for your band regalia of the tabard, drum, baldric, and mace (encls 5-8). The description and symbolism are provided at enclosure 9 and a list of sources to procure the regalia is at enclosure 10.
5. POC is Mrs. Henning by telephone at DSN 656-4972, Commercial (703) 806-4972 or by email at bonnie.s.henning.civ@mail.mil.

10 Encls
as

MUGNO.CHARLES.V.1
020723374

CHARLES V. MUGNO
Director

Digitally signed by MUGNO.CHARLES.V.1020723374
DN: c=US, o=U.S. Government, ou=DoD, ou=PKI,
ou=USA, cn=MUGNO.CHARLES.V.1020723374
Date: 2016.09.06 14:19:16 -0400



REPLY TO
ATTENTION OF

DEPARTMENT OF THE ARMY
THE INSTITUTE OF HERALDRY
9325 GUNSTON ROAD, ROOM S112
FORT BELVOIR, VIRGINIA 22060-5579

SEP 06 2016

AAMH-IHS (840-10a)

MEMORANDUM FOR Commander, 29th Infantry Division Band, ATTN: SFC Carr or
SFC Reynolds, Gary Lee Miller Armory, 1000 Dabney Drive, Clifton Forge, VA 24422

SUBJECT: 29th Infantry Division Band Tab

1. A tab is authorized for wear on the uniforms of personnel assigned to the 29th
Infantry Division Band.

2. The description of the design is as follows:

A full color embroidered ultramarine blue tab with the inscription "29TH
INFANTRY DIVISION BAND" in silver gray 5/16 inch (.79 cm) letters,
edged with a 1/8 inch (.32 cm) ultramarine blue border. The overall
dimensions are 4 inches (10.16 cm) in length and 11/16 inch (1.75 cm)
in width.

3. This authorization is in accordance with AR 670-1 and will become part of your
permanent organizational history files.

MUGNO.CHARLES.V.1020
723374

Digitally signed by MUGNO.CHARLES.V.1020723374
DN: c=US, o=U.S. Government, ou=DoD, ou=PKI,
ou=USA, cn=MUGNO.CHARLES.V.1020723374
Date: 2016.09.06 14:19:36 -0400

CHARLES V. MUGNO
Director

CF: CMH

FOR SUBDUED TAB

ACU - UCP:

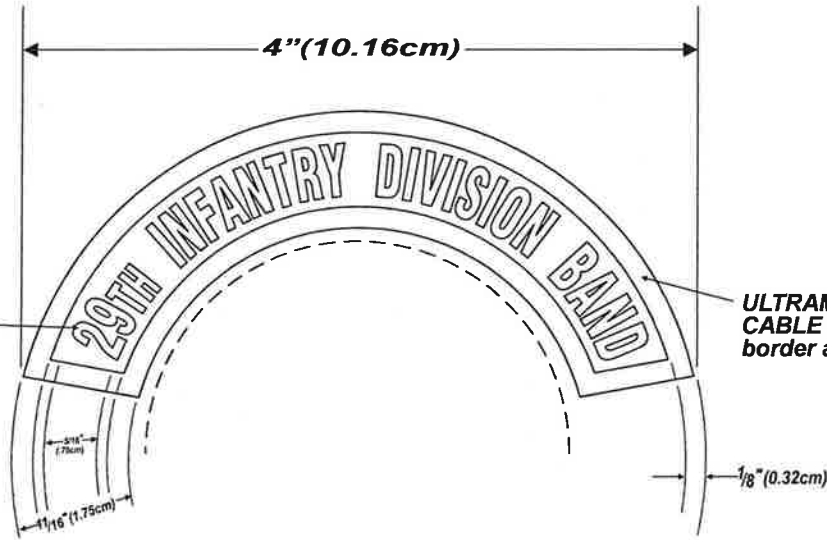
**SILVER GRAY AREAS AND
BORDER TO BE FOLIAGE GREEN
67202. ULTRAMARINE BLUE
AREAS TO BE BLACK 67138.**

ACU - OCP:

**SILVER GRAY AREAS AND
BORDER TO BE BAGBY GREEN
67204. ULTRAMARINE BLUE
AREAS TO BE BLACK 67138.**

REVISIONS

LTR	DESCRIPTION	DATE	APPROVED
-----	-------------	------	----------



DESIGNED FOR OVEREDGE STITCHING

STITCH COUNT

**STITCHES 2925 (minimum)
DENIER 90/2
SPAN 12/4**

UNLESS OTHERWISE SPECIFIED DIMENSIONS ARE IN INCHES TOLERANCES ON FRACTIONS DECIMALS ANGLES

EXAMINED	<i>TLC</i>	
CHECKED	<i>CA</i>	<i>SAD</i>
PREPARED	<i>EOM</i>	

APPROVED
Charles V. Mugno
CHARLES V. MUGNO
DIRECTOR

THE INSTITUTE OF HERALDRY, DEPARTMENT OF THE ARMY
9325 GUNSTON RD. RMs-113 FORT BELVOIR, VA 22060-5579

**TAB
29TH INFANTRY DIVISION
BAND**

SIZE	CONTROL IDENT. NO	
A	22571	A - 1 - 1115

SCALE FULL DATE **30 NOVEMBER 2016**

MATERIALS:
TO BE MANUFACTURED
IN ACCORDANCE WITH
MIL-DTL-14652

FOR SUBDUED TAB

ACU - UCP:

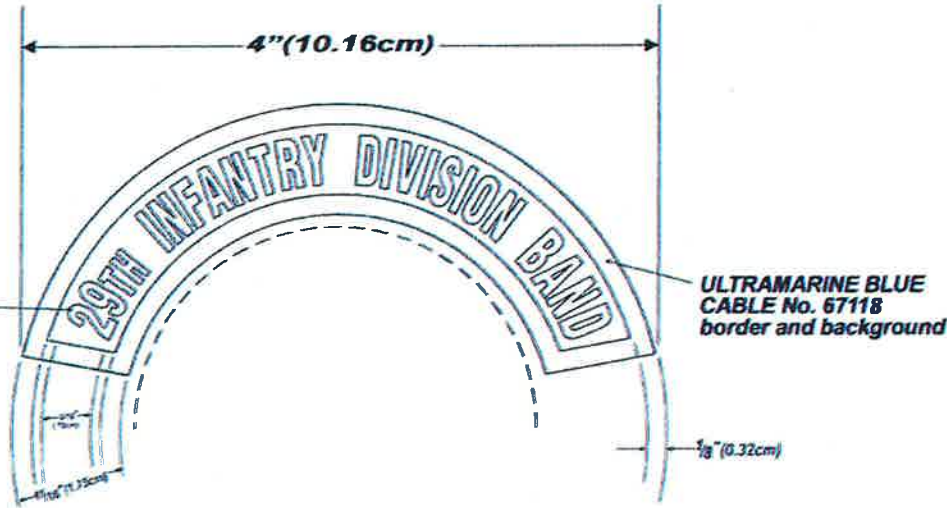
**SILVER GRAY AREAS AND
BORDER TO BE FOLIAGE GREEN
67202. ULTRAMARINE BLUE
AREAS TO BE BLACK 67138.**

ACU - OCP:

**SILVER GRAY AREAS AND
BORDER TO BE BAGBY GREEN
67204. ULTRAMARINE BLUE
AREAS TO BE BLACK 67138.**

REVISIONS

LTR	DESCRIPTION	DATE	APPROVED
-----	-------------	------	----------



DESIGNED FOR OVEREDGE STITCHING

UNLESS OTHERWISE SPECIFIED DIMENSIONS ARE IN INCHES TOLERANCES ON FRACTIONS DECIMALS ANGLES

MATERIALS:
TO BE MANUFACTURED IN ACCORDANCE WITH MIL-DTL-14652

EXAMINED	Jed	
CHECKED	CA	600
PREPARED	EOM	

APPROVED
MUGNO, CHARLES V. TO
20723374
CHARLES V. MUGNO
DIRECTOR

THE INSTITUTE OF HERALDRY, DEPARTMENT OF THE ARMY
9325 GUNSTON RD. RM S-113 FORT BELVOIR, VA 22060-5579

TAB
29TH INFANTRY DIVISION
BAND

SIZE	CONTROL IDENT. NO
A	22571
SCALE	DATE
FULL	31 AUGUST 2016

A - 1 - 1115



FULL



ACU



OCP-BAGBY



LINE

TAB
29TH INFANTRY DIVISION BAND



FULL



ACU



OCP-BAGBY



LINE

TAB
29TH INFANTRY DIVISION BAND



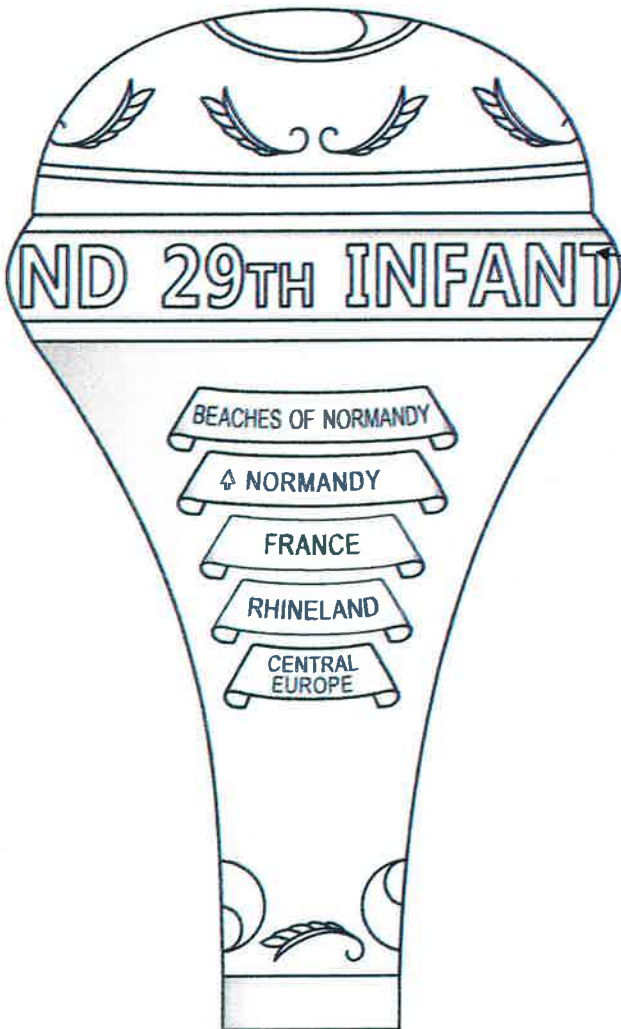
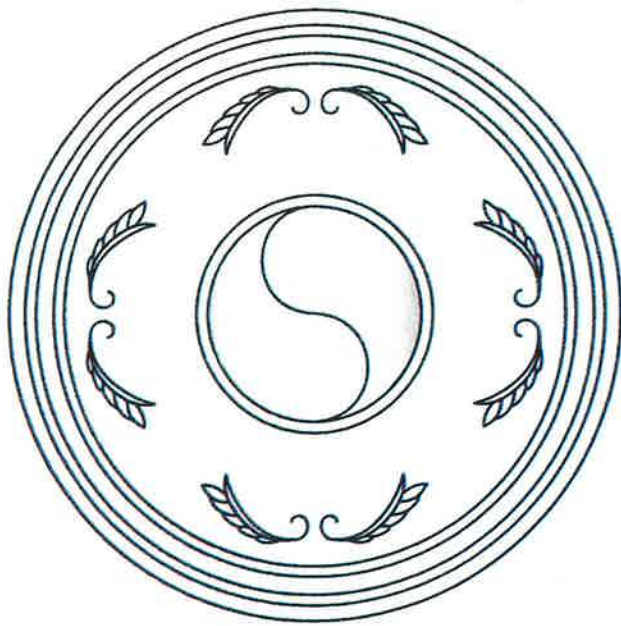
TABBARD
29th INFANTRY DIVISION BAND
VIRGINIA ARMY NATIONAL GUARD



DRUM
29th INFANTRY DIVISION BAND
VIRGINIA ARMY NATIONAL GUARD



BALDRIC
29th INFANTRY DIVISION BAND
VIRGINIA ARMY NATIONAL GUARD



29TH INFANTRY DIVISION BAND

MACE
29th INFANTRY DIVISION BAND
VIRGINIA ARMY NATIONAL GUARD

29th Infantry Division Band Regalia

Description and Symbolism

Baldric: On a dark blue field, the color taken from the Virginia State flag, a disc with a taeguk, the right half being blue and the left half gray, within a green border, is the authorized shoulder sleeve insignia of the 29th Infantry Division. Above the disc is a gold quadrupled parted scroll inscribed "29TH INFANTRY DIVISION BAND" in dark blue letters. To base is a silver star, which reflects Roanoke's nickname "The Star City of the South."

Tabard: On a dark blue field, the color taken from the Virginia State flag, a disc with a taeguk, the right half being blue and the left half gray, within a green border, is the authorized shoulder sleeve insignia of the 29th Infantry Division. Displayed at top a yellow tripled parted scroll edged and inscribed "29TH INFANTRY DIVISION BAND" in dark blue

Drum: On a dark blue field, the color taken from the Virginia State flag, a disc with a taeguk, the right half being blue and the left half gray, within a green border, is the authorized shoulder sleeve insignia of the 29th Infantry division. Displayed at top a yellow tripled parted scroll edged and inscribed "29TH INFANTRY DIVISION BAND" in dark blue. To base are five yellow scrolls inscribed in dark blue letters with the Band's campaign credits for the European-African-Middle Eastern Theater during World War II.

Mace: Displayed around the bottom of the mace, two taeguk symbols with a decorative palm in between five scrolls inscribed with the Band's campaign credits for the European-African Middle Eastern Theater during World War II. The inscription "29TH INFANTRY DIVISION BAND" is around the band of the mace. The authorized shoulder sleeve insignia is displayed at the top of the mace, encircled by decorative palms, symbolizing Pacific service.