



## DEPARTMENT OF THE ARMY

THE INSTITUTE OF HERALDRY  
9325 GUNSTON ROAD, ROOM S113  
FORT BELVOIR, VIRGINIA 22060-5579

SAAA-IHS

16 September 2019

MEMORANDUM FOR Commander, 297th Support Group, ATTN: XXXXXXXX  
XXXXX, PO BOX 5800, Fort Richardson, AK 99505

SUBJECT: Authorized Insignia for the 297th Support Group

1. The following heraldic items are authorized for the 297th Support Group, effective 12 July 2016.

a. A distinctive unit insignia (Encl 1). The description and symbolism of the design are as follows:

### DESCRIPTION

A gold metal and epoxied shield shaped device 1 1/4 inch (3.18cm) in height blazoned as follows: Per bend Buff and Azure, a bend Gules between in sinister chief a mullet and in dexter a scattering of seven smaller mullets all Or; a chief embattled and masoned of the last. Behind the shield a key, ward upwards, and a spear, point upwards, in saltire. Attached above the device, with the spear and ward resting on a gold scroll inscribed "**ARCTICUM EX**" in black letters; attached to the sides and the base of the shield, the bases of the key and spear resting on a gold scroll inscribed "**MILITIBUS**" in black letters.

### SYMBOLISM

Scarlet and buff are the traditional colors of Support units. The bend is from the unit's colors and identifies it as a Regional Command Group. The embattlement symbolizes the wartime mission which takes place at forward operating bases and staging areas. The blue field and stars make up the constellation Ursa Major which is displayed on the Alaska state flag, denoting the location of the group. The motto translates to "SOLDIERS OF THE ARCTIC."

c. Distinguishing colors IAW AR 840-10 and TIOH Drawing 5-1-0312 (Encl 2).

2. The U.S. Army Tank-Automotive and Armaments Command is responsible for the procurement of flags. To obtain your flag, complete DD Form 1348-6 online at [www.heraldry.army.mil](http://www.heraldry.army.mil); citing TIOH Drawing No. 5-1-0312, in the remarks section. POC at the Clothing and Heraldry Office is Ms. Franklin, DSN 444-2515 or COMM (215) 737-2515.

SAAA-IHS

SUBJECT: Authorized Insignia for the 297th Support Group

3. All manufacturing tools (hubs and dies) will be maintained by The Institute of Heraldry (TIOH) as part of our quality assurance program. In addition, TIOH retains a permanent record of the approved design and all correspondence for future reference. A set of standard samples with procurement instructions and a list of our certified manufacturers will be sent to the POC and mailing address on record.
4. This authorization is in accordance with AR 670-1, AR 840-10 and National Guard Bureau Organizational Authority 089-011, dated 30 March 2017. A copy of this letter will become part of your permanent organizational history files.
5. Your point of contact for this action is Mr. Garrison at keith.a.garrison6.civ@mail.mil or 571-515-0324.

Encls

CF:  
The U.S. Army Center of Military History  
National Guard Bureau

MUGNO.CHARLES.V.10  
20723374  
MUGNO.CHARLE  
20723374  
S.V.1020723374 2019.09.17 10:39:07  
-04'00'  
CHARLES V. MUGNO  
Director



**DEPARTMENT OF THE ARMY  
ALASKA ARMY NATIONAL GUARD  
JOINT FORCES HEADQUARTERS  
POST OFFICE BOX 5800  
JOINT BASE ELMENDORF RICHARDSON, ALASKA 99505-0800**

PERMANENT ORDERS 089-011

30 March 2017

SUBJECT: 297<sup>TH</sup> Regional Support Group, (WP0WAA)

1. The following stationing action is directed:

UNIT	RQRD OFF/WO/ENL	AUTH OFF/WO/ENL	OLD UNIT	ACTION
HHC, 297 <sup>TH</sup> Regional Support Group Building 49000 JBER- Richardson Alaska, 99505-0800 F/R 12 July 2016 WP0WAA	20/0/48	20/0/48	Same	Update
HHC, 297 <sup>TH</sup> Regional Support Group Det 1 202 Wein Street Fairbanks Alaska, 99701 F/R 12 July 2016 WP0WA1	5/0/6	5/0/6	Same	Activation

2. This order constitutes the authority to perform the actions listed above. The purpose is to Reorganize/Organize existing force structure for the 297<sup>TH</sup> REGIONAL SUPPORT GROUP, (WP0WAA)

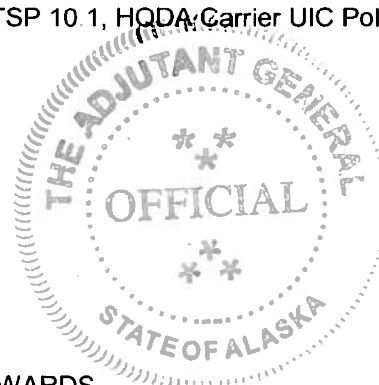
ACTION: Reorganize/Organize  
EDATE OF MTOE: 01 September 2016  
AUTHORITY: IAW NGR 10-1 and under the provisions of Title 32, USC Section 104. By the order of the Alaska Adjutant General, NGB Command Plan TSP 10.1, HQDA Carrier UIC Policy that units one year from E-date will automatically receive a carrier UIC.

FORMAT: 740

FOR ARNG USE:

FOR THE ADJUTANT GENERAL:

//////\/////////  
//HQ, AKARNG//  
//////\/////////  
MICHELLE D. EDWARDS  
MAJ, GS  
Deputy Chief of Staff, Personnel





**297TH SUPPORT GROUP**

**\*\*This Drawing is 6x-Actual Size\*\***

ACTUAL SIZE-----1 1/4" ± 1/64" High (3.18 cm ± 0.04 cm)

METAL COLOR  
& PLATING-----Gold  
FINISH-----Mirror-like polish

DESIGN:  
CHARGES-----Flush, except bricks to be recessed and modeled. Key, spear, and ends of scroll to be modeled.

LETTERING-----Black #26  
PIERCING-----Pierced between shield and scrolls.  
EPOXY-----Stoning

CHIP No's-----Red #1, Blue #18, Buff #24, Black #26.

**TYPE IV D 7003**

***For Color Placement Only  
Not For Color Match***

**MANUFACTURING DRAWING  
FOR DEVELOPMENT ONLY**

APPROVED  
THE INSTITUTE OF HERALDRY  
DEPARTMENT OF THE ARMY

MUGNO.CHARLES.V.10 MUGNO.CHARLES.V.1020723374  
20723374 2019.05.17 13:14:18 -04'00'

**CHARLES V. MUGNO**  
Director



**297TH SUPPORT GROUP**

**TYPE IV D 7003**

**\*\*This Drawing is 6x-Actual Size\*\***

ACTUAL SIZE-----1 1/4" ± 1/64" High (3.18 cm ± 0.04 cm)

METAL COLOR  
& PLATING-----Gold  
FINISH-----Mirror-like polish

DESIGN:  
CHARGES-----Flush, except bricks to be recessed and modeled. Key, spear, and ends of scroll to be modeled.

LETTERING-----Black #26  
PIERCING-----Pierced between shield and scrolls.  
EPOXY-----Stoning

CHIP No's-----Red #1, Blue #18, Buff #24, Black #26.

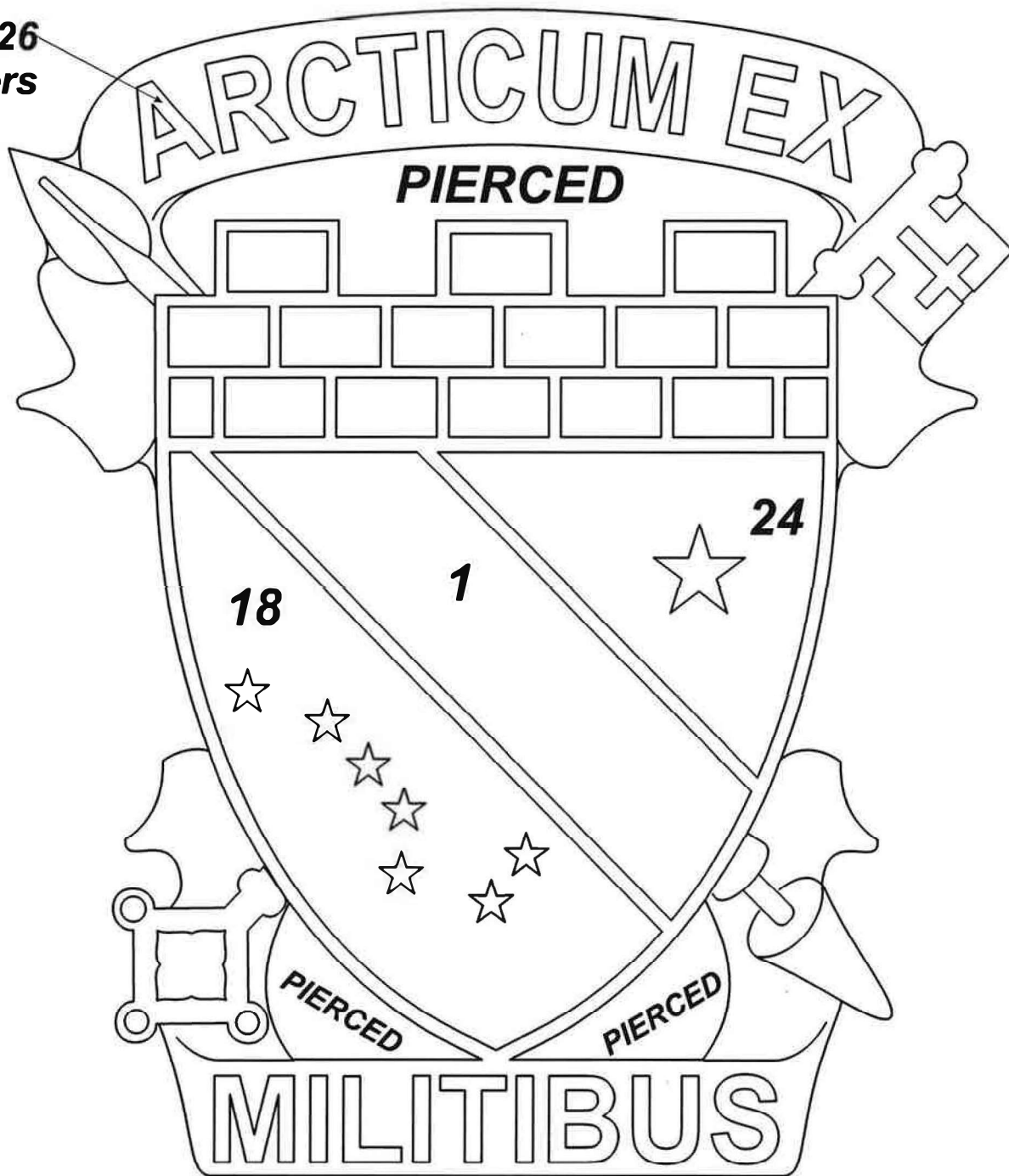
**MANUFACTURING DRAWING  
FOR DEVELOPMENT ONLY**

APPROVED  
THE INSTITUTE OF HERALDRY  
DEPARTMENT OF THE ARMY

MUGNO.CHARLES.V.10 MUGNO.CHARLES.V.1020723374  
20723374 2019.05.17 13:14:40 -04'00'

**CHARLES V. MUGNO**  
Director

26  
letters



### 297TH SUPPORT GROUP

TYPE IV D 7003

\*\*This Drawing is 6x-Actual Size\*\*

ACTUAL SIZE-----1 1/4" ± 1/64" High (3.18 cm ± 0.04 cm)

METAL COLOR  
& PLATING-----Gold  
FINISH-----Mirror-like polish

DESIGN:  
CHARGES-----Flush, except bricks to be recessed and modeled. Key, spear, and ends of scroll to be modeled.

LETTERING-----Black #26  
PIERCING-----Pierced between shield and scrolls.  
EPOXY-----Stoning

CHIP No's-----Red #1, Blue #18, Buff #24, Black #26.

**MANUFACTURING DRAWING  
FOR DEVELOPMENT ONLY**

APPROVED  
THE INSTITUTE OF HERALDRY  
DEPARTMENT OF THE ARMY

MUGNO.CHARLES.V. 74  
1020723374  
MUGNO.CHARLES.V.10207233  
2019.05.17 13:14:59 -04'00'

**CHARLES V. MUGNO**  
Director

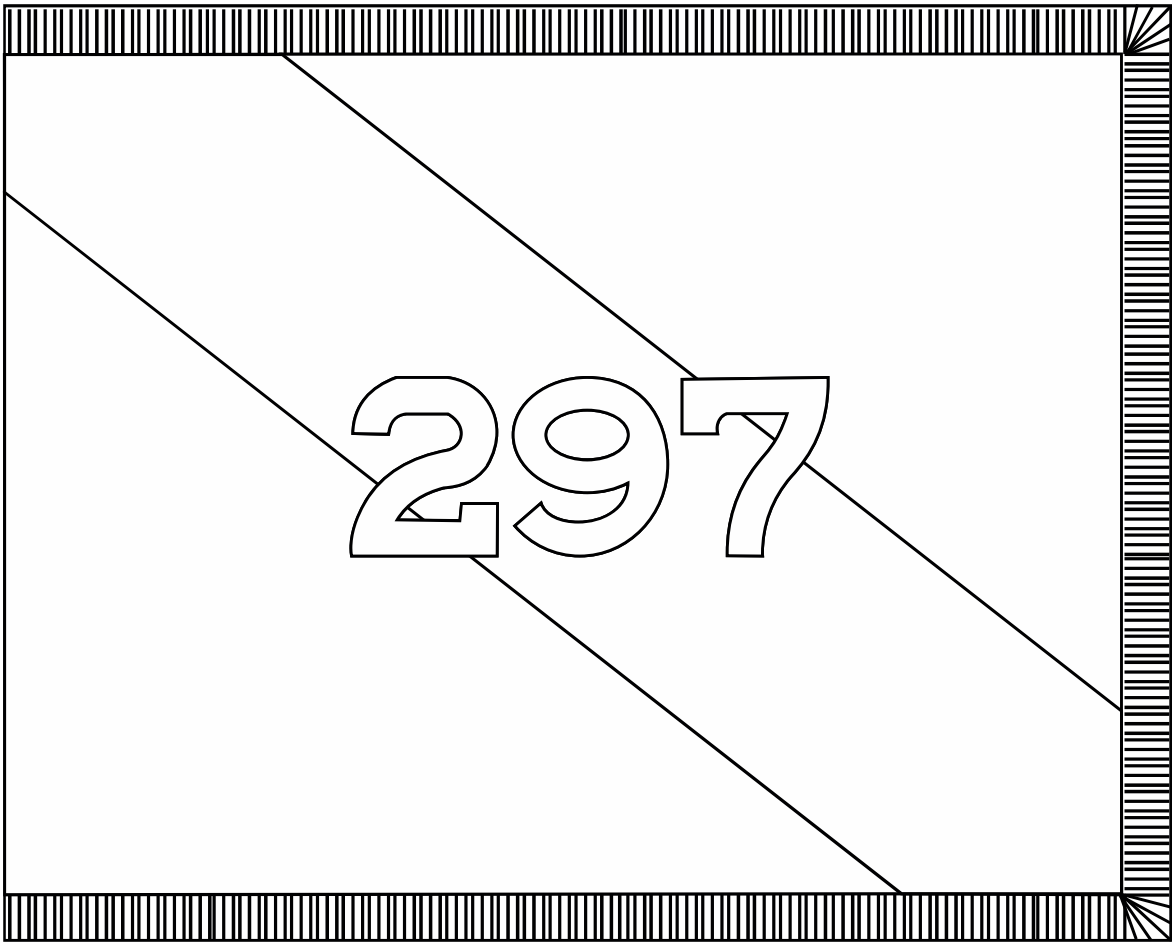


SIX TIMES SIZE



ACTUAL SIZE

SUGGESTED DESIGN  
DISTINCTIVE UNIT INSIGNIA  
297TH REGIONAL SUPPORT GROUP



FLAG  
297TH SUPPORT GROUP