



DEPARTMENT OF THE ARMY

THE INSTITUTE OF HERALDRY
9325 GUNSTON ROAD, ROOM S113
FORT BELVOIR, VIRGINIA 22060-5579

AAMH-IHS

8 January 2019

MEMORANDUM FOR Commander, 4th Security Force Assistance Brigade, ATTN: MAJ Kyle Eldridge, 1510 Chiles Ave, Suite 7, Fort Carson, CO 80913

SUBJECT: Authorized Insignia for the 4th Security Force Assistance Brigade

1. The following heraldic items are authorized for the 4th Security Force Assistance Brigade (SFAB), effective 4 June 2018.

a. Distinctive unit insignia (Encl 1). The description and symbolism of the design are as follows:

DESCRIPTION

On a shield shaped silver metal and epoxied device 1 1/8" (2.86cm) in height blazoned as follows: Vert, four bendlets bevilled Gules, overall a sword erect throughout Sable.

SYMBOLISM

The bend is indicative of authority and direction, and is fimbriated to allude to assistance. The four bendlets/diagonal bars are indicative of the Fourth Security Force Assistance Brigade. The beveled aspect suggests adaptability and overcoming adversity. The sword conveys force, whether it be offense, defense or the assistance in training partners towards those capabilities. The color red is associated with energy, strength, and determination. The color green alludes to the Fourth's Mountain Post heritage and serves as the foundation for the shield and unit. The color gold exemplifies excellence and expertise.

b. Shoulder sleeve insignia and Tab (Encl 2). TIOH Drawing A-1-1122 and 1122A are to be used for all SFA units IAW CSA guidance.

c. Beret flash (Encl 3); TIOH Drawing A-4-319.

d. Distinguishing colors IAW AR 840-10 and CSA guidance (Encl 4); TIOH Drawing 5-6-4232.

2. This authorization is in accordance with AR 670-1 and AR 840-10. A copy of this letter will become part of your permanent organizational history files.

AAMH-IHS

SUBJECT: Authorized Insignia for the 4th Security Force Assistance Brigade

3. Your point of contact for this action is Mr. Garrison at keith.a.garrison6.civ@mail.mil or 571-515-0324.

MUGNO.CHARLE MUGNO.CHARLES.V.10
20723374
S.V.1020723374 2019.01.08 12:34:13
-05'00'

Encls

CHARLES V. MUGNO
Director

CF:
The U.S. Army Center of Military History
Security Force Assistance Command



**4TH SECURITY FORCE ASSISTANCE
BRIGADE**

TYPE I D-6998

****This Drawing is 6x-Actual Size****

ACTUAL SIZE-----1 1/8" ± 1/64" High (2.86 cm ± 0.04 cm)

METAL COLOR & PLATING-----Gold

FINISH-----Mirror-like polish

DESIGN:

CHARGES-----Flush

LETTERING-----None

PIERCING-----None

EPOXY-----Stoning

CHIP No's-----Red #1, Green #12, Black #26

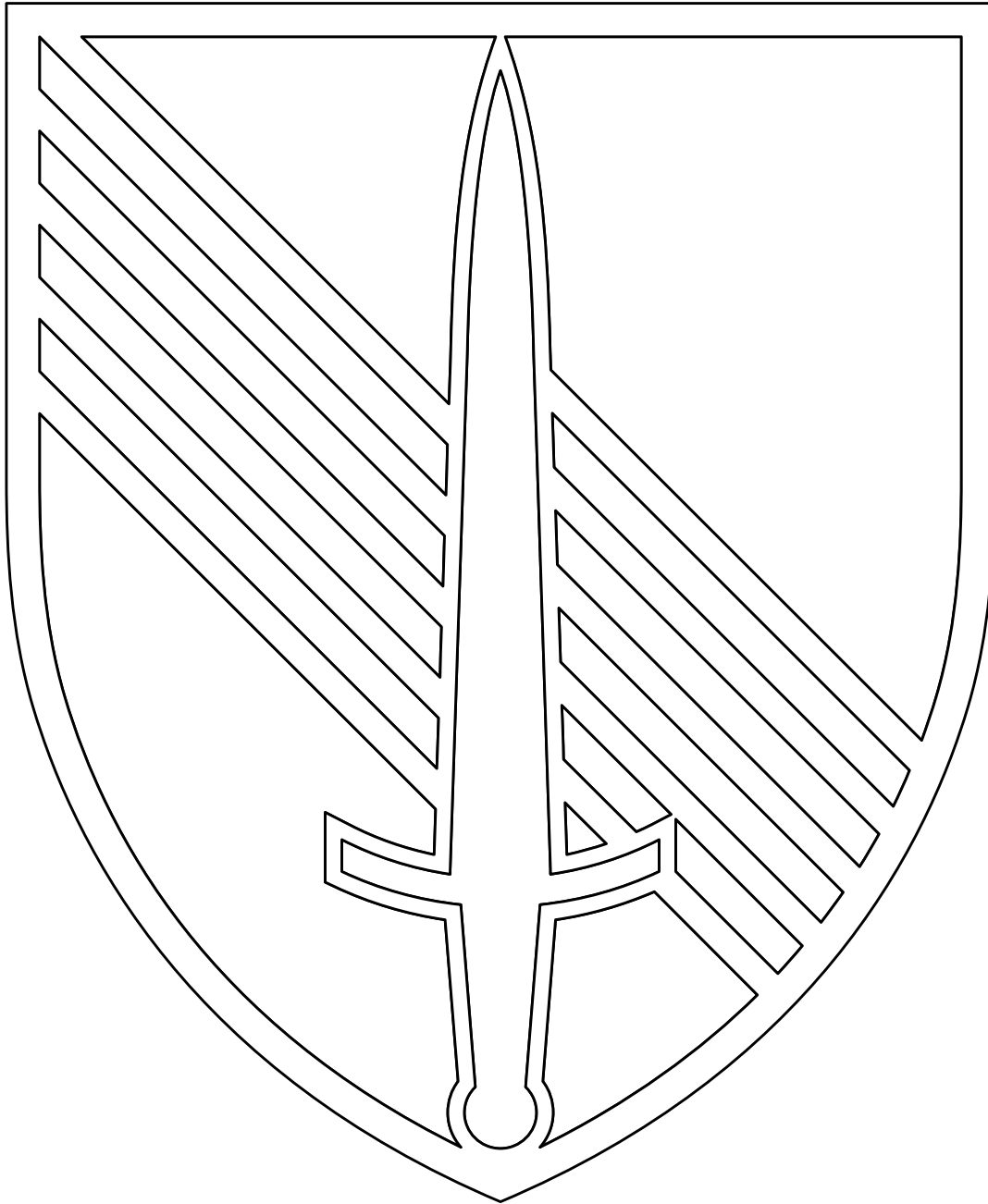
**FOR COLOR PLACEMENT ONLY
NOT FOR COLOR MATCH**

APPROVED

*THE INSTITUTE OF HERALDRY,
DEPARTMENT OF THE ARMY*

MUGNO.CHARLE MUGNO.CHARLES.V.10
20723374
S.V.1020723374 2018.11.02 07:35:58
-04'00'

**CHARLES V. MUGNO
DIRECTOR**



**4TH SECURITY FORCE ASSISTANCE
BRIGADE**

TYPE I D-6998

****This Drawing is 6x-Actual Size****

ACTUAL SIZE-----1 1/8" ± 1/64" High (2.86 cm ± 0.04 cm)

METAL COLOR & PLATING-----Gold

FINISH-----Mirror-like polish

DESIGN:

CHARGES-----Flush

LETTERING-----None

PIERCING-----None

EPOXY-----Stoning

CHIP No's-----Red #1, Green #12, Black #26

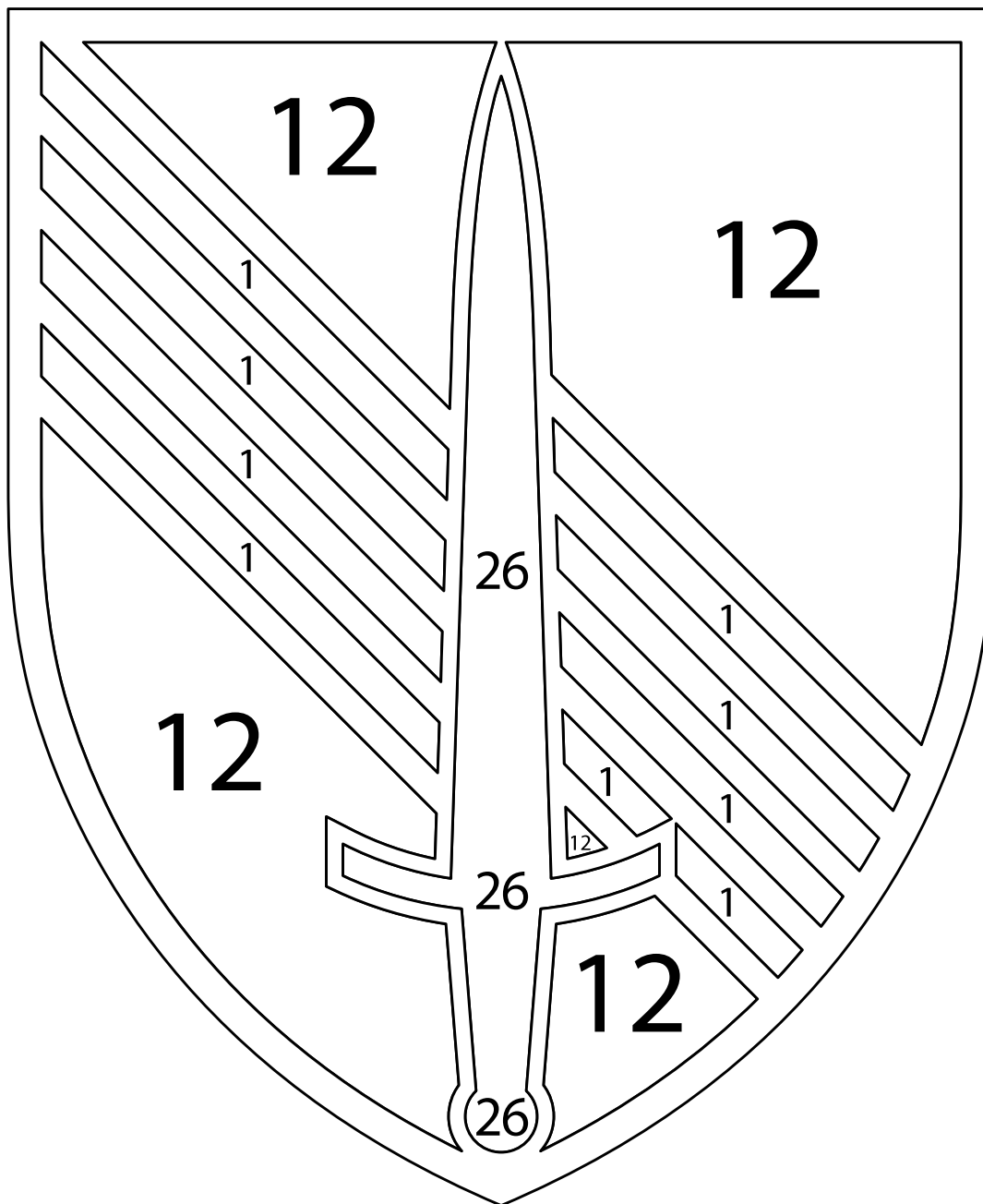
APPROVED

*THE INSTITUTE OF HERALDRY,
DEPARTMENT OF THE ARMY*

MUGNO.CHARLE MUGNO.CHARLES.V.10207
23374
S.V.1020723374 2018.11.02 07:36:13 -04'00'

CHARLES V. MUGNO
DIRECTOR

AWW



**4TH SECURITY FORCE ASSISTANCE
BRIGADE**

TYPE I D-6998

****This Drawing is 6x-Actual Size****

ACTUAL SIZE-----1 1/8" ± 1/64" High (2.86 cm ± 0.04 cm)

METAL COLOR & PLATING-----Gold
FINISH-----Mirror-like polish

DESIGN:
CHARGES-----Flush

LETTERING-----None
PIERCING-----None
EPOXY-----Stoning
CHIP No's-----Red #1, Green #12, Black #26

APPROVED

*THE INSTITUTE OF HERALDRY,
DEPARTMENT OF THE ARMY*

MUGNO.CHARLE MUGNO.CHARLES.V.1020
723374
S.V.1020723374 2018.11.02 07:36:23 -04'00'

*CHARLES V. MUGNO
DIRECTOR*



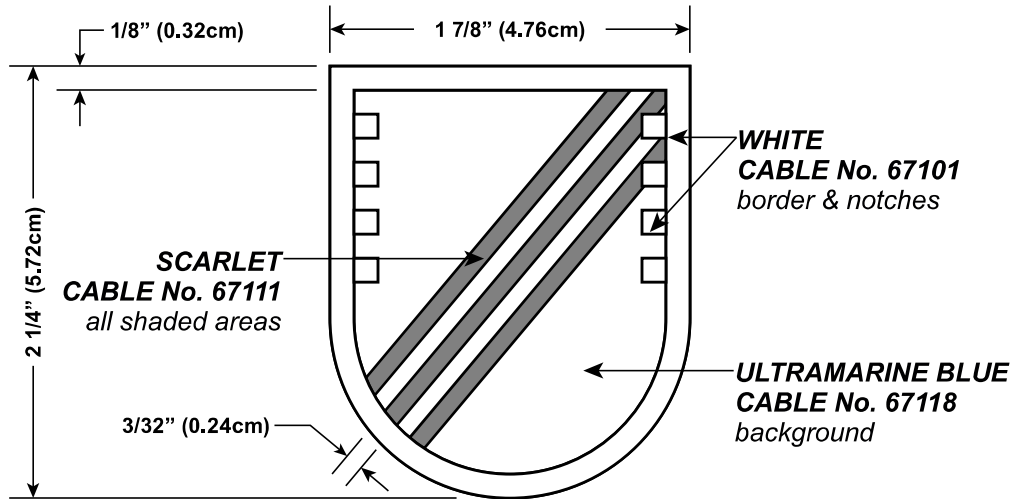
6X SIZE



ACTUAL SIZE

**DISTINCTIVE UNIT INSIGNIA
4TH SECURITY FORCE ASSISTANCE BRIGADE**

REVISIONS



DESIGNED FOR OVEREDGE STITCHING

EXAMINED	<i>TLC</i>	
CHECKED	<i>CA</i>	<i>SAO</i>
PREPARED	<i>AWW</i>	

APPROVED

MUGNO.CHARLES.V.1 Digitally signed by
MUGNO.CHARLES.V.1020723374
020723374 Date: 2018.09.18 10:51:36 -04'00'

CHARLESV. MUGNO
DIRECTOR

THE INSTITUTE OF HERALDRY, DEPARTMENT OF THE ARMY
9325 GUNSTON RD, RM S-113 FORT BELVOIR, VA 22060-5579

BERET FLASH FOR
**4TH SECURITY FORCE
ASSISTANCE BRIGADE**

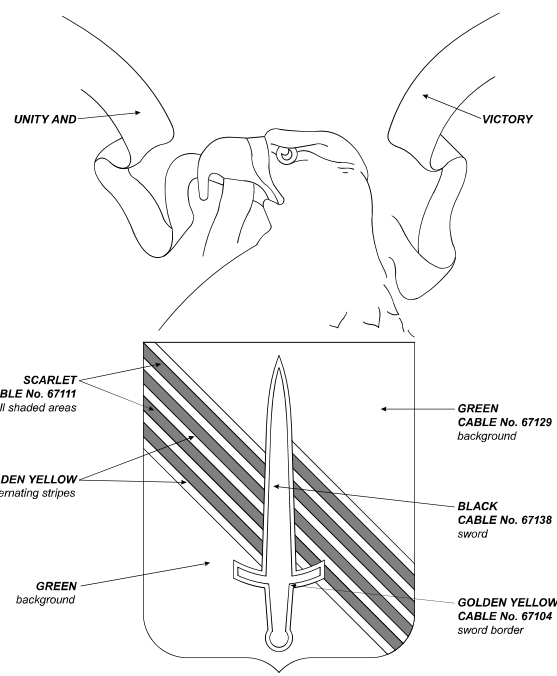
SIZE	CONTROL IDENT. NO	
A	22571	A-4-319

MATERIALS: TO BE MANUFACTURED IN ACCORDANCE WITH MIL-DTL-14652

SCALE	FULL	DATE	18 SEPTEMBER 2018
-------	------	------	--------------------------



REVISIONS



FOURTH SECURITY FORCE ASSISTANCE

BLAZON

SHIELD: *Vert, four bendlets beveled Gules fimbriated Or, overall a sword erect throughout Sable, fimbriated of the third.*

CREST: *None*

MOTTO: *UNITY AND VICTORY*

- BATTALION**
- 1ST INFANTRY
 - 2ND INFANTRY
 - 3D CAVALRY
 - 4TH FIELD ARTILLERY
 - 5TH ENGINEER
 - 6TH SUPPORT
- BRANCH COLORS FOR FLAG**
- INFANTRY
 - CAVALRY
 - FIELD ARTILLERY
 - ENGINEER
 - SUPPORT
- OTHER BATTALION FLAGS WILL BE IN THE COLORS OF THE HISTORICAL BRANCH AFFILIATION OF THE REGIMENT**

REFERENCE	DRAWING No.
BASE DRAWING OF EAGLE	5-6-1
BASE DRAWING WITH COLOR SPECIFICATIONS	5-6-2
STREAMERS	5-6-2

COAT OF ARMS AUTHORIZED FOR USE BY

LOG & NO. COMMENTS

EXAMINED	7/6
CHECKED	CA
PREPARED	AW
APPROVED	
MUNDO CHAR	MUNDO CHARLES
LES.V.1020723	2018.11.01 15:58:19
374	-04007
CHARLES V. MUNDO	DIRECTOR

THE INSTITUTE OF HERALDRY, DEPARTMENT OF THE ARMY
8925 GUNSTON RD. RM 5-413 FORT BELVOIR, VA 22060-5579

COAT OF ARMS FOR
REGIMENTAL BATTALIONS

FOURTH SECURITY FORCE ASSISTANCE BRIGADE

SIZE: CORE IDENT. No. **22571**

SCALE: FULL

DATE: 24 OCTOBER 2018

5-6-4232



COAT OF ARMS
FOURTH SECURITY FORCE ASSISTANCE BRIGADE



FLAG
FOURTH SECURITY FORCE ASSISTANCE BRIGADE