



REPLY TO
ATTENTION OF

DEPARTMENT OF THE ARMY
THE INSTITUTE OF HERALDRY
9325 GUNSTON ROAD, ROOM 8112
FORT BELVOIR, VIRGINIA 22060-5579

AAHS-IHS (840-10a)

03 JUL 2013

MEMORANDUM FOR Commander, New Mexico Army National Guard Element, Santa Fe, NM 87502-4277

SUBJECT: Distinctive Unit Insignia for the New Mexico Army National Guard (ARNG) Element, Joint Force Headquarters

1. The distinctive unit insignia (DUI) redesignated retroactive to 1 October 2003, for the New Mexico Army National Guard Element, Joint Force Headquarters and amended to update the description, was:

a. **Originally approved** for the Headquarters and Headquarters Detachment and noncolor bearing units of the New Mexico Army National Guard by letter AGAH-A, The Institute of Heraldry, 17 April 1972.

b. **Redesignated** for Headquarters, State Area Command, New Mexico Army National Guard by letter DAAG-HDP-A, The Institute of Heraldry, 12 August 1985.

2. The description and symbolism of the design are as follows:

DESCRIPTION

A gold color metal and enamel device 1 1/8 (2.86 cm) in height overall consisting of a gold morion bearing the red Zia Sun Symbol from the State flag of New Mexico.

SYMBOLISM

The Zia Sun Symbol was suggested by the State flag of New Mexico. The Spanish morion alludes to Coronado and the Spanish role in the early history of the State.

3. This authorization is in accordance with AR 670-1 and National Guard Bureau Organizational Authority Number 79-04, dated 26 March 2004. A copy of this letter will become part of your permanent organizational history files.

CHARLES V. MUGNO
Director

CF: CMH



REPLY TO
ATTENTION OF

DEPARTMENT OF THE ARMY
THE INSTITUTE OF HERALDRY
9325 GUNSTON ROAD, ROOM S112
FORT BELVOIR, VIRGINIA 22060-5579

AAHS-IHS (840-10a)

03 JUL 2013

MEMORANDUM FOR Commander, New Mexico Army National Guard Element, Santa Fe, NM 87502-4277

SUBJECT: Shoulder Sleeve Insignia for the New Mexico Army National Guard (ARNG) Element, Joint Force Headquarters

1. The shoulder sleeve insignia redesignated retroactive to 1 October 2003, for the New Mexico Army National Guard Element, Joint Force Headquarters and amended to update the description, was:

a. **Originally approved** for the Headquarters and Headquarters Detachment, New Mexico Army National Guard, by letter DAAG-HDA, The Institute of Heraldry, 7 March 1975.

b. **Redesignated** for Headquarters, State Area Command, New Mexico Army National Guard by letter DAAG-HDP-A, The Institute of Heraldry, 12 August 1985.

2. The description and symbolism of the design are as follows:

DESCRIPTION

On a yellow shield (of the same shape depicted on the coat of arms of the United States) 2 1/2 inches (6.35 cm) in height and 2 1/4 inches (5.72 cm) in width overall including a 1/8 inch (.32 cm) red border, a red Zia Sun Symbol (in the same proportions as fixed by act of the New Mexico Legislature).

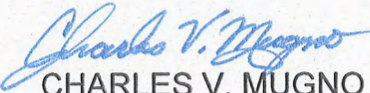
SYMBOLISM

The colors red and yellow, the official colors of New Mexico, and the Zia Sun Symbol, the State's official emblem, were taken from the State flag of New Mexico.

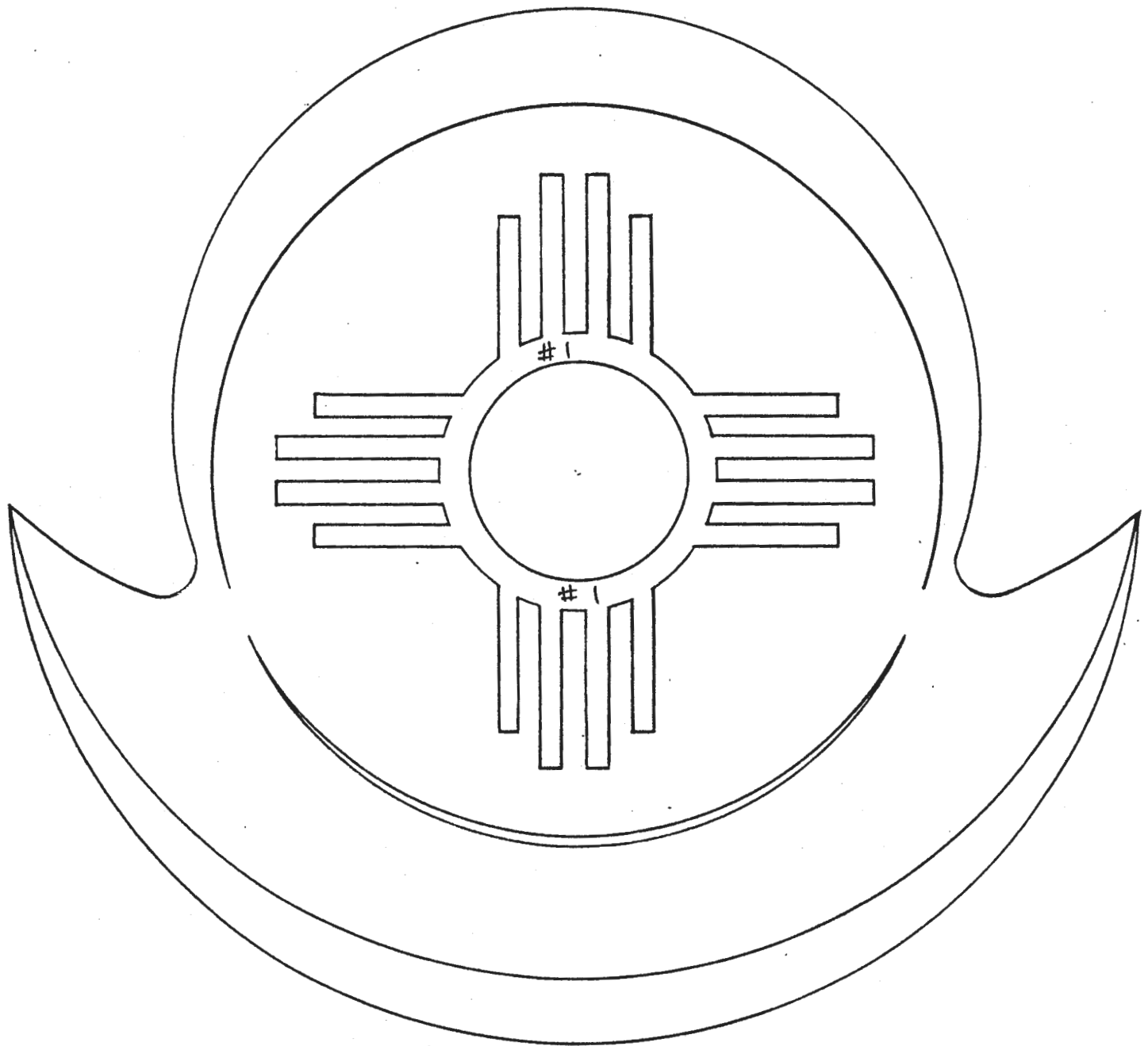
AAHS-IHS (840-10a)

SUBJECT: Shoulder Sleeve Insignia for the New Mexico Army National Guard (ARNG)
Element, Joint Force Headquarters

3. This authorization is in accordance with AR 670-1 and National Guard Bureau Organizational Authority Number 79-04, dated 26 March 2004. A copy of this letter will become part of your permanent organizational history files.


CHARLES V. MUGNO
Director

CF: CMH



**New Mexico Army National Guard Element,
Joint Force Headquarters**

D-5236
ACTUAL SIZE $1\frac{1}{8}'' \pm \frac{1}{64}$

METAL COLOR-----GOLD

FINISH-----MIRROR-LIKE POLISH

DEVICE

ENAMEL-----VITREOUS OPAQUE

CHARGES-----FLUSH, DETAILS INCISED; GOLD MORION
TO BE SLIGHTLY DEPRESSED AT TOP,
OUTSIDE AREA WITH SLIGHT RADIUS; &
CHAMFERED ON THE BOTTOM

LETTERING-----NONE

PIERCING-----NONE

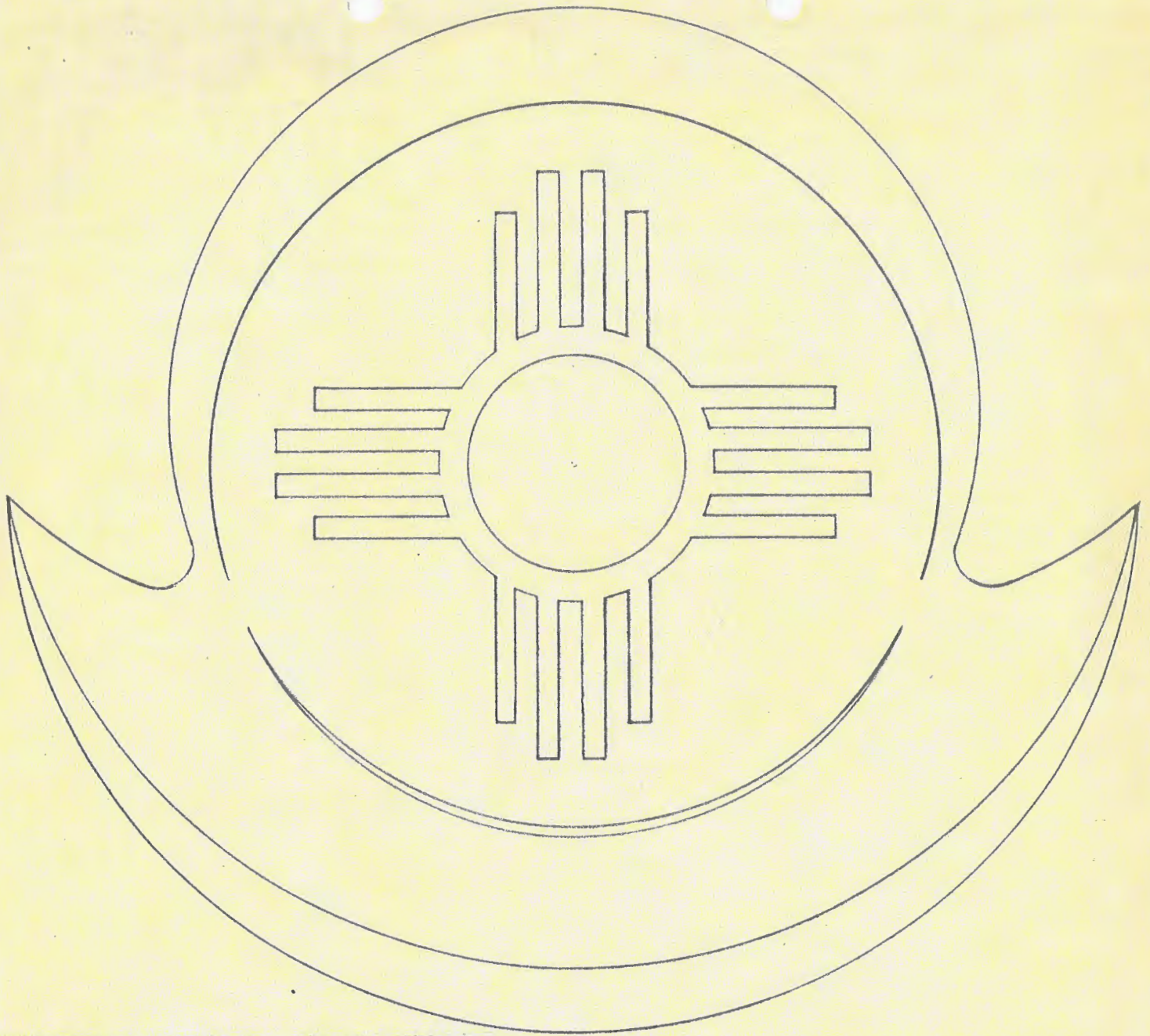
CHIP No. RED #1

APPROVED

THE INSTITUTE OF HERALDRY
U.S. ARMY 17 APRIL 1972

EUGENE F. GANLEY, COL., AGC
COMMANDING

Encl 3



**New Mexico Army National Guard Element,
Joint Force Headquarters**

ACTUAL SIZE $1\frac{1}{8}'' \pm \frac{1}{64}$

METAL COLOR-----GOLD

FINISH-----MIRROR-LIKE POLISH

DEVICE

ENAMEL-----VITREOUS OPAQUE

CHARGES-----FLUSH, DETAILS INCISED; GOLD MORION
TO BE SLIGHTLY DEPRESSED AT TOP,
OUTSIDE AREA WITH SLIGHT RADIUS; &
CHAMFERED ON THE BOTTOM

LETTERING-----NONE

PIERCING-----NONE

CHIP NO. RED #1

APPROVED

THE INSTITUTE OF HERALDRY
U.S. ARMY 17 APRIL 1972

EUGENE F. GANLEY, COL., AGC,
COMMANDING

Encl 4

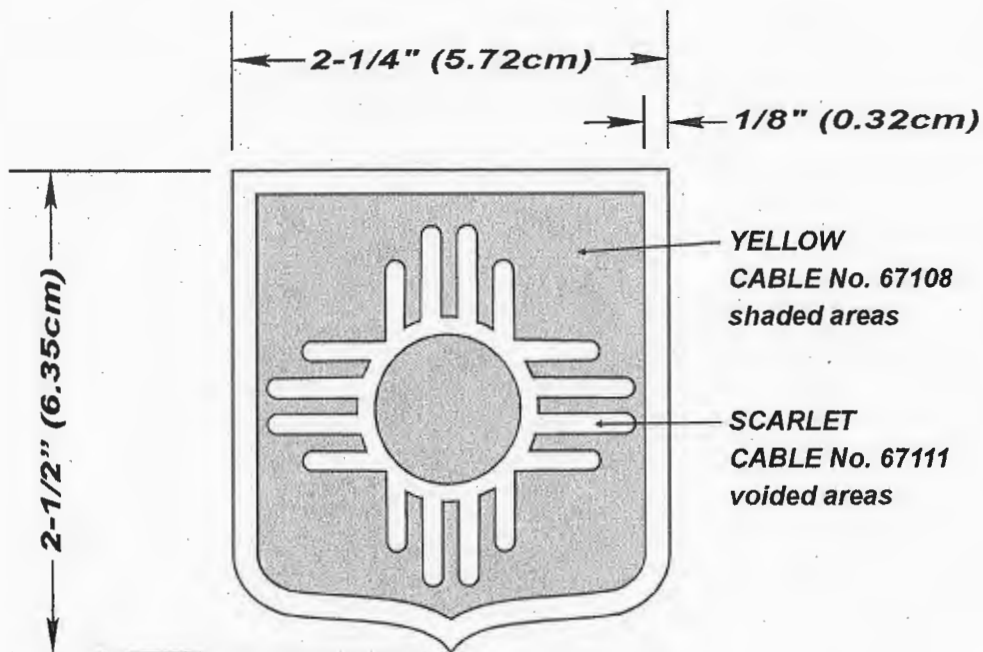


FOR SUBDUED INSIGNIA

ACU:
 YELLOW AREAS TO BE FOLIAGE GREEN
 67202. SCARLET AREAS TO BE BLACK
 67138.

REVISIONS

LTR	DESCRIPTION	DATE	APPROVED
-----	-------------	------	----------



DESIGNED FOR OVEREDGE STITCHING

STITCH COUNT

6,063 STITCHES (minimum)
100/2 DENIER
12/4 SPAN

SUPERSEDES TIOH DRAWING No. A-1-583 DATED 11 MARCH 1975

UNLESS OTHERWISE SPECIFIED DIMENSIONS ARE IN INCHES TOLERANCES ON FRACTIONS DECIMALS ANGLES	THE INSTITUTE OF HERALDRY, DEPARTMENT OF THE ARMY 9325 GUNSTON RD, RM S-113 FORT BELVOIR, VA 22060-5579		
	SHOULDER SLEEVE INSIGNIA		
MATERIALS: TO BE MANUFACTURED IN ACCORDANCE WITH MIL-DTL-14652	EXAMINED	SAD	NEW MEXICO ARMY NATIONAL GUARD ELEMENT, JOINT FORCE HEADQUARTERS
	CHECKED	GS SAD	
	PREPARED	GS	
	APPROVED	<i>Charles V. Mugno</i> CHARLES V. MUGNO DIRECTOR	SIZE CONTROL IDENT. NO A 22571
			A - 1 - 583
	SCALE	FULL	DATE 26 JUNE 2013

