



REPLY TO
ATTENTION OF

DEPARTMENT OF THE ARMY
THE INSTITUTE OF HERALDRY
3325 GUNSTON ROAD, ROOM 9442
FORT BELVOIR, VIRGINIA 22060-5879

AAHS-IHS (840-10a)

2010 10/14/03

MEMORANDUM FOR Commander, New Hampshire Army National Guard Element,
Joint Force Headquarters, Concord, NH 03301-5652

SUBJECT: Distinctive Unit Insignia for the New Hampshire Army National Guard
(ARNG) Element, Joint Force Headquarters

1. The distinctive unit insignia (DUI) redesignated retroactive to 1 October 2003, for the New Hampshire Army National Guard Element, Joint Force Headquarters and amended to update the description, was:

a. **Originally approved** for Headquarters and Headquarters Detachment and Noncolor Bearing Units of the New Hampshire Army National Guard by letter AGAH-A, The Institute of Heraldry, 5 February 1971.

b. **Redesignated** for Headquarters, State Area Command, New Hampshire Army National Guard effective 30 December 1983, by letter DAAG-HDP-A, The Institute of Heraldry, 26 July 1985.

2. The description and symbolism of the design are as follows:

DESCRIPTION

A Gold color metal and enamel device 1 inch (2.54 cm) in height consisting of a Gold shield with a raised reproduction in enamel of the crest and wreath authorized for the State of New Hampshire Army National Guard: On a wreath Argent (White) and Gules (Red) two pine branches saltirewise Proper (Green) crossed behind a bundle of five arrows palewise Argent (White) bound together by a ribbon Gules (Red) the ends entwining the branches.

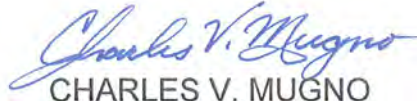
SYMBOLISM

The bundle of five arrows and the pine are from the seal adopted by the Colony of New Hampshire in 1776. The twists of the wreath are white and red as the State was colonized by the English.

AAHS-IHS (840-10a)

SUBJECT: Distinctive Unit Insignia for the New Hampshire Army National Guard
(ARNG) Element, Joint Force Headquarters

3. This authorization is in accordance with AR 670-1 and National Guard Bureau Organizational Authority Number 79-04, dated 26 March 2004. A copy of this letter will become part of your permanent organizational history files.


CHARLES V. MUGNO
Director

CF: CMH



REPLY TO
ATTENTION OF

DEPARTMENT OF THE ARMY
THE INSTITUTE OF HERALDRY
9325 GUNSTON ROAD, ROOM #112
FORT BELVOIR, VIRGINIA 22060-5579

AAHS-IHS (840-10a)

MEMORANDUM FOR Commander, New Hampshire Army National Guard Element,
Joint Force Headquarters, Concord, NH 03301-5652

SUBJECT: Shoulder Sleeve Insignia for the New Hampshire Army National Guard
(ARNG) Element, Joint Force Headquarters

1. The shoulder sleeve insignia redesignated retroactive to 1 October 2003, for the New Hampshire Army National Guard Element, Joint Force Headquarters and amended to update the description, was:

a. **Originally approved** for Headquarters and Headquarters Detachment, New Hampshire National Guard by letter QMGRH 421.4, Office of the Quartermaster General, 7 March 1956.

b. **Redesignated** for the Headquarters, State Area Command, New Hampshire Army National Guard by letter DAAG-HDP-A, The Institute of Heraldry, 30 December 1983.

2. The description and symbolism of the design are as follows:

DESCRIPTION

On a blue shield $2 \frac{3}{4}$ inches (6.99 cm) in height and $2 \frac{7}{16}$ inches (6.19 cm) in width overall, a bundle of five arrows, three in front and two in rear, points to top, within a circle composed of nine stars, the one at base twice the size of the remainder, all yellow.

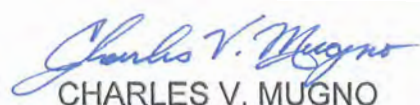
SYMBOLISM

Blue and yellow are the colors of the state flag of New Hampshire. The nine stars represent New Hampshire as the ninth state to ratify the Constitution thereby making the Constitution effective. The bundle of five arrows, taken from the New Hampshire State Seal (1776), represents the five counties of New Hampshire bound together into a common state government.

AAHS-IHS (840-10a)

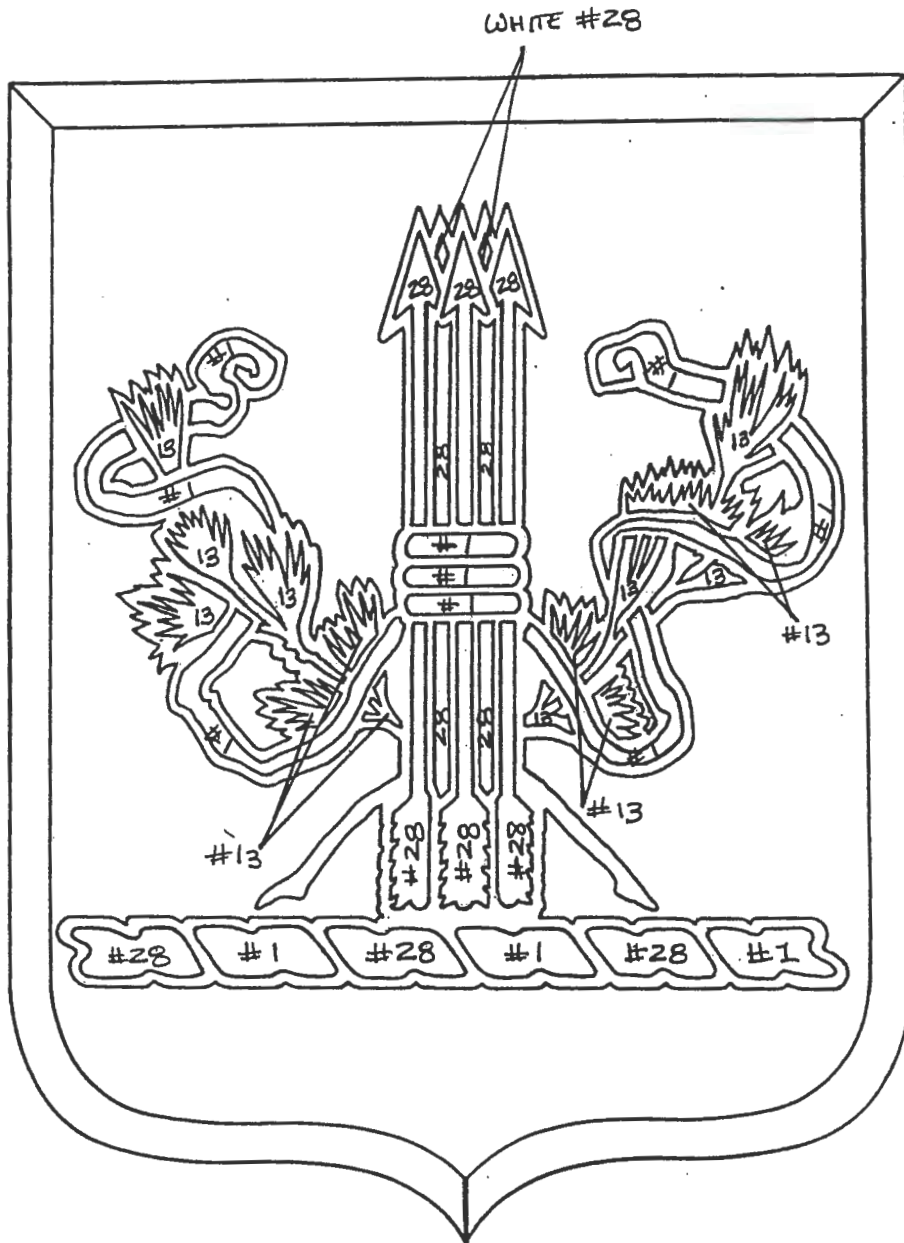
SUBJECT: Shoulder Sleeve Insignia for the New Hampshire Army National Guard (ARNG) Element, Joint Force Headquarters

3. This authorization is in accordance with AR 670-1 and National Guard Bureau Organizational Authority Number 79-04, dated 26 March 2004. A copy of this letter will become part of your permanent organizational history files.



CHARLES V. MUGNO
Director

CF: CMH



Authorized 26 July 1985
 New Hampshire Army National Guard Element,
 Joint Force Headquarters

D-5014
 ACTUAL SIZE 1" $\pm \frac{1}{64}$

- METAL COLOR-----GOLD
- FINISH-----MIRROR-LIKE POLISH
- VICE
- ENAMEL-----VITREOUS OPAQUE
- CHARGES-----RAISED IN RELIEF & ENAMELLED
- LETTERING-----NONE
- PIERCING-----NONE
- CHIP No. WHITE #28 RED #1 GREEN #13



New Hampshire Army National Guard Element,
Joint Force Headquarters

ACTUAL SIZE $1'' \pm \frac{1}{64}$

METAL COLOR-----GOLD

FINISH-----MIRROR-LIKE POLISH

DEVICE

ENAMEL-----VITREOUS OPAQUE

CHARGES-----RAISED IN RELIEF & ENAMELLED

LETTERING-----NONE

PIERCING-----NONE

CHIP NO. WHITE *28 RED *1 GREEN *13

27214



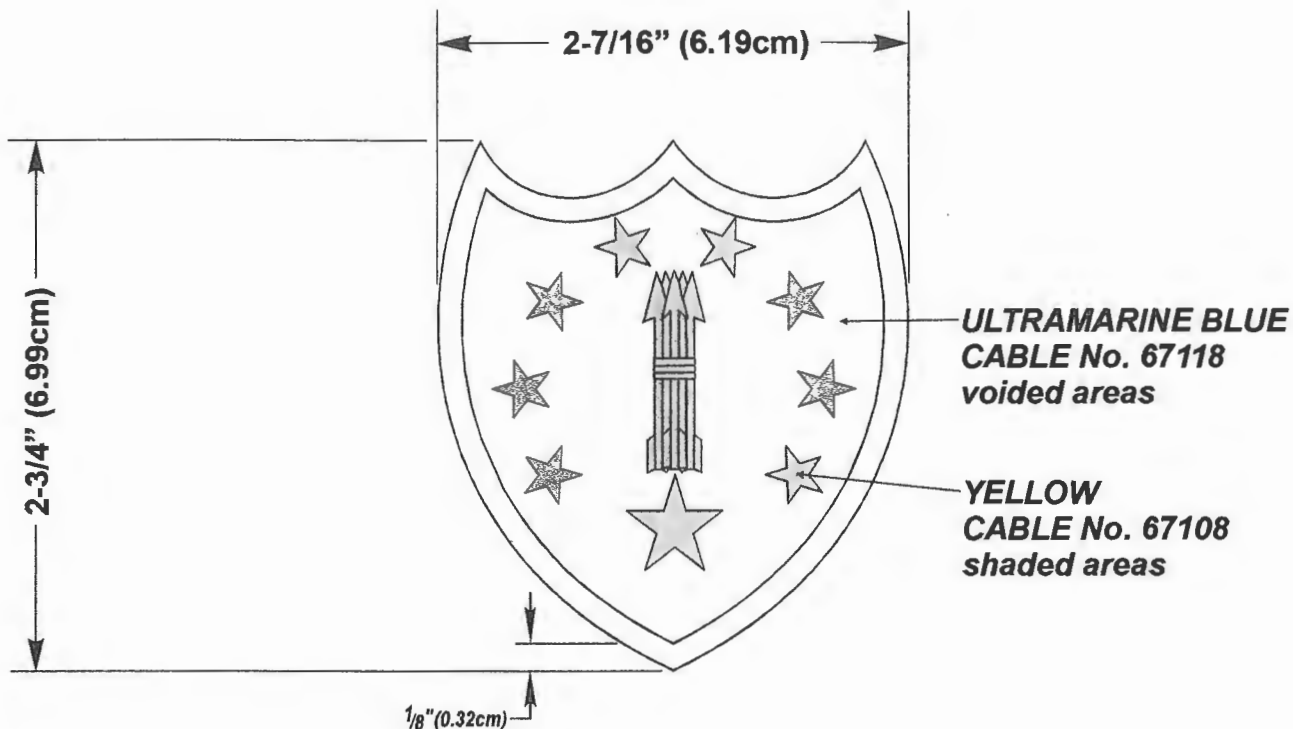
FOR SUBDUED INSIGNIA

ACU

BLUE AREA TO BE FOLIAGE GREEN 67202. YELLOW AREAS TO BE BLACK 67138.

REVISIONS

LTR	DESCRIPTION	DATE	APPROVED
-----	-------------	------	----------



DESIGNED FOR OVEREDGE STITCHING
STITCH COUNT
4140 STITCHES (minimum)
150/2 DENIER ULTRAMARINE BLUE
100/2 DENIER YELLOW
12/4 SPAN

SUPERSEDES TIOH DRAWING A-1-289 DATED 1 OCTOBER 1974

UNLESS OTHERWISE SPECIFIED DIMENSIONS ARE IN INCHES TOLERANCES ON FRACTIONS DECIMALS ANGLES

MATERIALS: TO BE MANUFACTURED IN ACCORDANCE WITH MIL-DTL-14652

EXAMINED	TC
CHECKED	JBL pm
PREPARED	JBL pm

APPROVED
Charles V. Mugno
 CHARLES V. MUGNO
 DIRECTOR

THE INSTITUTE OF HERALDRY, DEPARTMENT OF THE ARMY
 9325 GUNSTON RD. ROOM S-112 FORT BELVOIR, VA 22060-5579

SHOULDER SLEEVE INSIGNIA
NEW HAMPSHIRE ARNG ELEMENT
JOINT FORCE HEADQUARTERS

SIZE	CONTROL IDENT. NO	
A	22571	A - 1 - 289
SCALE	DATE	
FULL	20 NOVEMBER 2013	

