

QMACH 421.4  
99th Bn Cmbt Team

1 July 1958


MEMORANDUM FOR RECORD:


SUBJECT: Rescission of the Shoulder Sleeve Insignia for the 99th Battalion  
Combat Team

1. The shoulder sleeve insignia approved for the 99th Battalion  
Combat Team by letter QMACH 421.4 - 99th BCT, this Office, 9 October 1956,  
is cancelled this date.

2. This action is in accordance with letter AGAO-O(M) 322 (27 Jan 58)  
DCSPER, Subject: Change in Status of Certain Units dated 27 February 1958.

FOR THE COMMANDER:

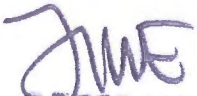
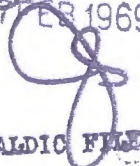
  
JOHN G. GODLETT, JR.  
Major, OMC  
Chief, Heraldic Services Division

  
Thornton  
1264/389

  
Riley

  
Potter

ML

  
27 FEB 1969  
  
HERALDIC FILE

OMACH 421.4  
99th BCT

9 October 1956

SUBJECT: Shoulder Sleeve Insignia for the 99th Battalion Combat Team

THRU: Commanding General  
Third Army  
Fort McPherson, Georgia

TO: Commanding Officer  
99th Battalion Combat Team  
Fort Rucker, Alabama

1. The following shoulder sleeve insignia is approved for the 99th Battalion Combat Team:

On a shield 2 inches overall in width divided vertically red and blue, bordered yellow, a vertical yellow lightning flash between two yellow stylized figure nines, one reversed, with stems joined.

Scarlet, blue, and yellow are the colors of the various groups that make up a combat team. The lightning flash represents the effective teamwork of the organization. The abstraction of two parts of a grenade, the safety pin pull ring and the safety lever, symbolizes the mission of a combat team to arm and strike. They also simulate the two nines in the designation Ninety-ninth Battalion Combat Team.

2. The painting of the shoulder sleeve insignia will be forwarded to the organization on or about 9 November 1956.

3. The time required for development, procurement, and distribution of the insignia precludes its supply prior to six to nine months from this date.

FOR THE COMMANDER:

*JG*  
JOHN G. GOODLETT, JR.  
Major, GIC  
Chief, Heraldic Services Division

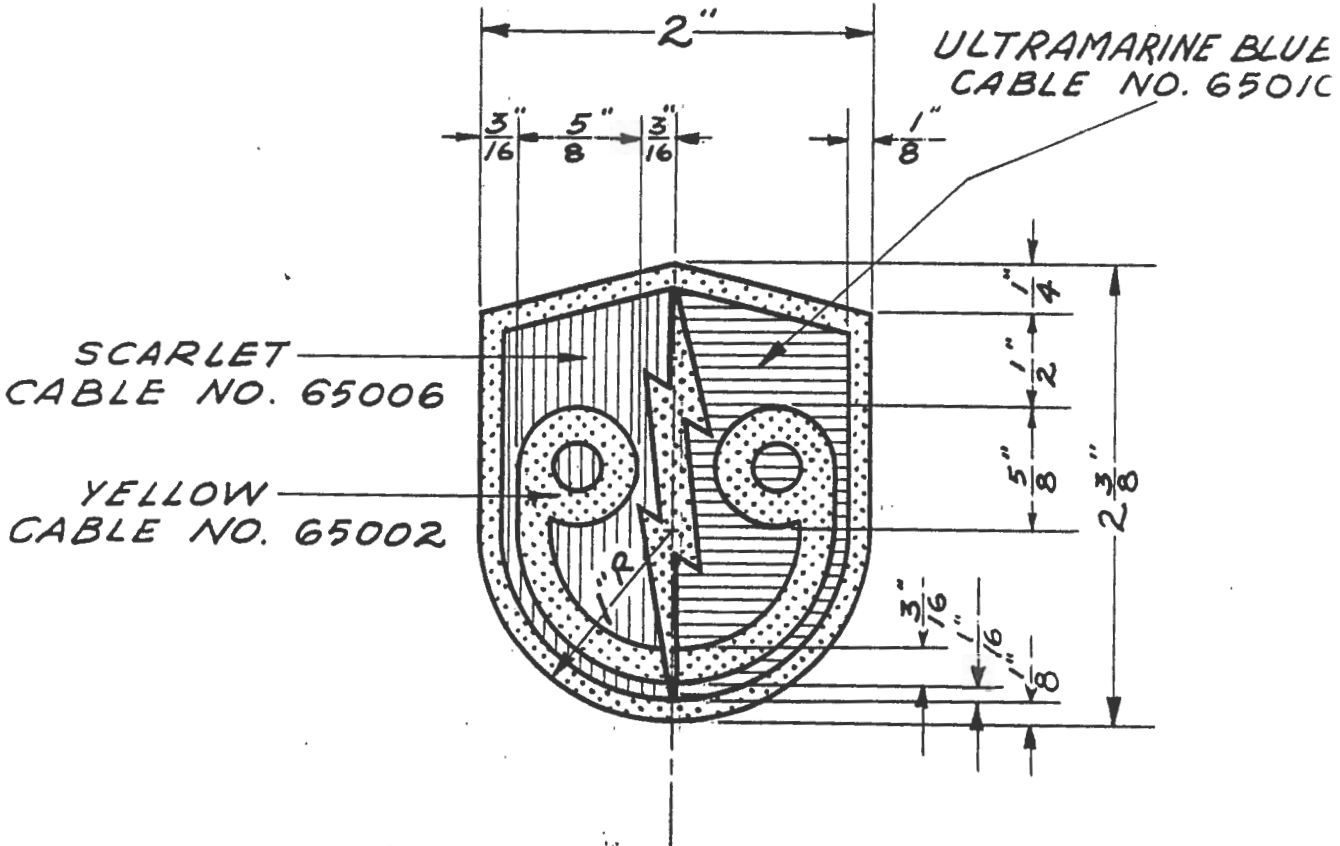
*RJR*  
R. Riley  
Code 1264/389  
*Pezzerite*

*ML*  
2 cys furnished: OQMG - M&R Br.

Case #V669830  
*Heraldic*

APPROVED FOR O. Q. M. G. [Signature]

CANCELLED 16 Feb '59



REVISED \_\_\_\_\_

SCALE: FULL

TITLE **SHOULDER SLEEVE INSIGNIA**  
**NINETY-NINTH BATTALION COMBAT TEAM**

DATE **25 OCT 1956**

DEPARTMENT OF THE ARMY  
O. Q. M. G.

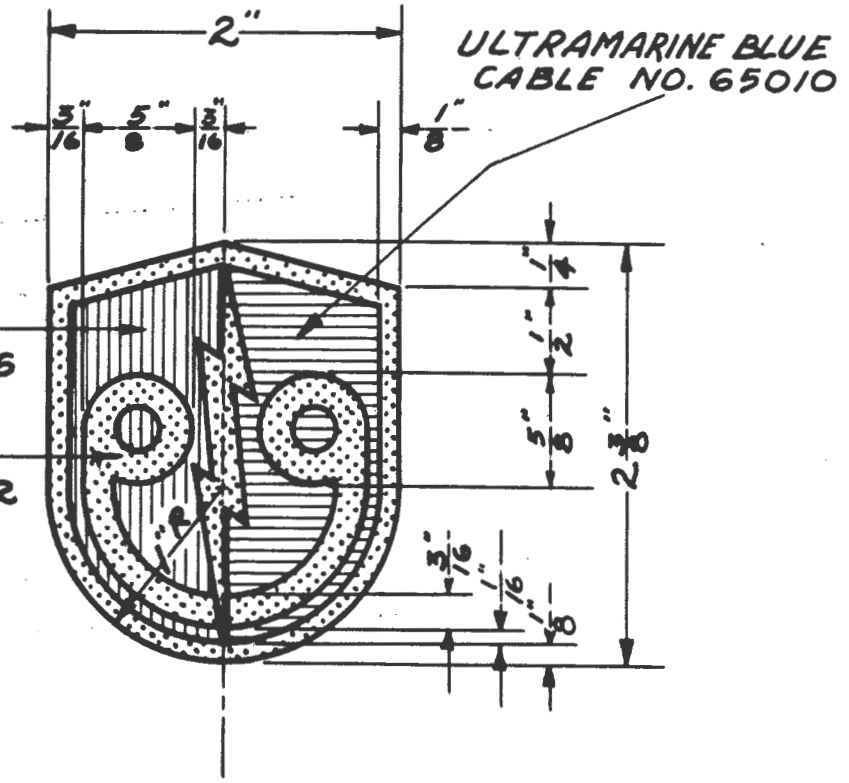
DRAWING NO.  
**A-1-242**

*James L. ...*

APPROVED FOR O. M. G.

CHECKED BY MO JB

DRAWN BY ADV



REVISED \_\_\_\_\_ SCALE: FULL

TITLE **SHOULDER SLEEVE INSIGNIA  
NINETY-NINTH BATTALION COMBAT TEAM**

DATE **25 OCT 1956**

DEPARTMENT OF THE ARMY  
O. Q. M. G.

DRAWING NO.  
**A-1-242**



*SUGGESTED SHOULDER SLEEVE INSIGNIA FOR THE  
NINETY-NINTH BATTALION COMBAT TEAM*