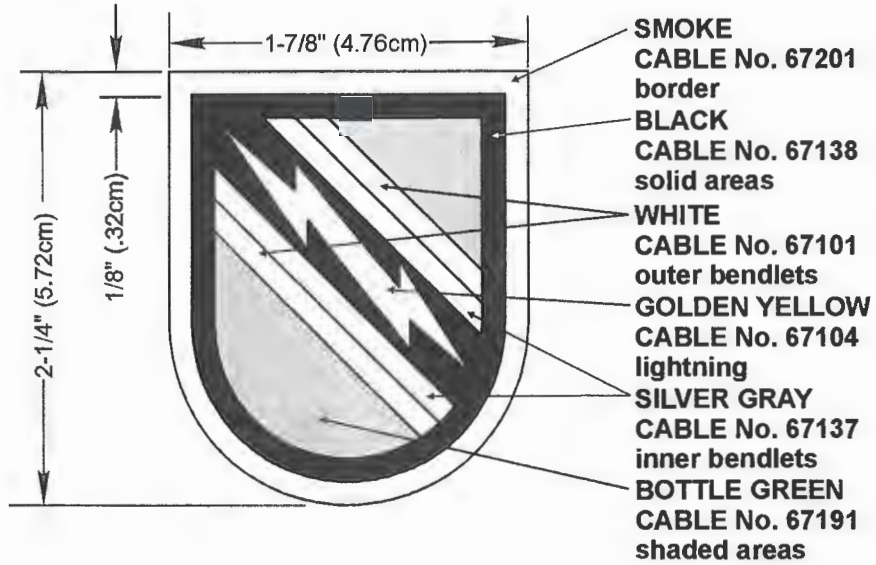


REVISIONS

| LTR | DESCRIPTION | DATE | APPROVED |
|-----|-------------|------|----------|
|-----|-------------|------|----------|



DESIGNED FOR OVEREDGE STITCHING

UNLESS OTHERWISE SPECIFIED DIMENSIONS ARE IN INCHES TOLERANCES ON FRACTIONS DECIMALS ANGLES

MATERIALS:
TO BE MANUFACTURED IN ACCORDANCE WITH MIL-DTL-14652

| | |
|----------|---|
| EXAMINED | <i>TR</i> |
| CHECKED | <i>ym</i> <i>502</i> |
| PREPARED | CLH |
| APPROVED | <i>Charles V. Mugno</i> CHARLES V. MUGNO DIRECTOR |

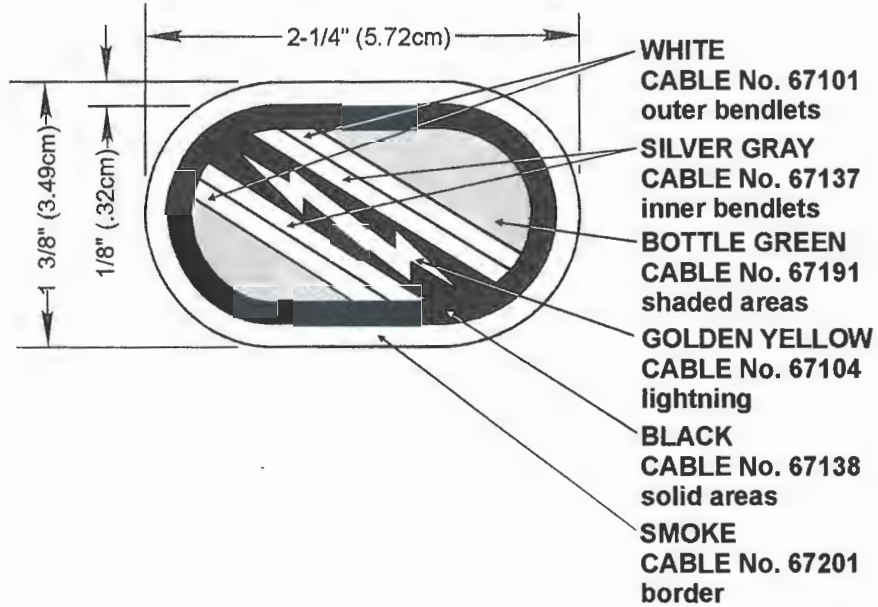
THE INSTITUTE OF HERALDRY, DEPARTMENT OF THE ARMY
9325 GUNSTON RD, RM S-113 FORT BELVOIR, VA 22060-5579

BERET FLASH FOR
EIGHTH PSYCHOLOGICAL OPERATIONS GROUP

| | | |
|----------|-------------------|------------------------------|
| SIZE | CONTROL IDENT. NO | |
| A | 22571 | A-4-289 |
| SCALE | FULL | DATE 18 DECEMBER 2013 |

REVISIONS

| LTR | DESCRIPTION | DATE | APPROVED |
|-----|-------------|------|----------|
|-----|-------------|------|----------|



DESIGNED FOR OVEREDGE STITCHING

UNLESS OTHERWISE SPECIFIED DIMENSIONS ARE IN INCHES
TOLERANCES ON FRACTIONS DECIMALS ANGLES

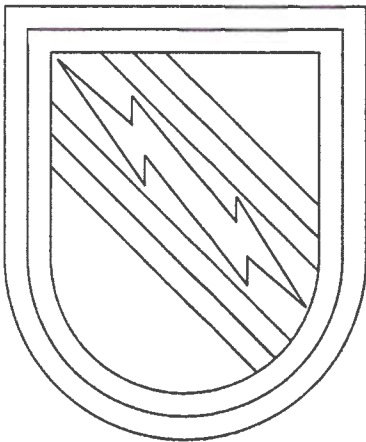
MATERIALS:
TO BE MANUFACTURED IN ACCORDANCE WITH MIL-DTL-14652

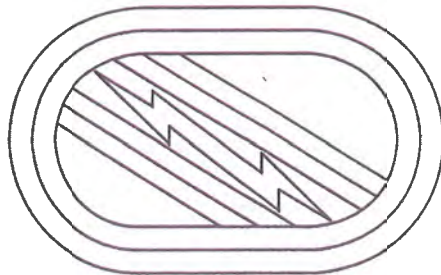
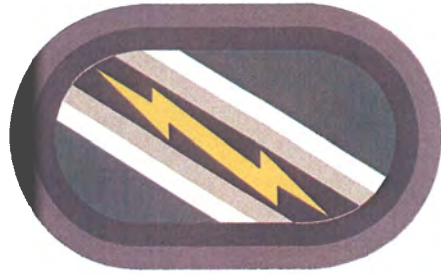
| | | |
|----------|------------------------------|------------|
| EXAMINED | | |
| CHECKED | <i>CLH</i> | <i>380</i> |
| PREPARED | CLH | |
| APPROVED | <i>Charles V. Mugno</i> | |
| | CHARLES V. MUGNO DIRECTOR | |

THE INSTITUTE OF HERALDRY, DEPARTMENT OF THE ARMY
9325 GUNSTON RD, RM S-113 FORT BELVOIR, VA 22060-5579

BACKGROUND TRIMMING FOR
EIGHTH PSYCHOLOGICAL OPERATIONS GROUP

| | | |
|----------|-------------------|-------------------------|
| SIZE | CONTROL IDENT. NO | A-6-314 |
| A | 22571 | |
| SCALE | FULL | DATE |
| | | 18 DECEMBER 2013 |







REPLY TO
ATTENTION OF

DEPARTMENT OF THE ARMY
THE INSTITUTE OF HERALDRY
9325 GUNSTON ROAD, ROOM S112
FORT BELVOIR, VIRGINIA 22060-5579

AAHS-IHS (840-10a)

20 DEC 2011

MEMORANDUM FOR Commander, 8th Psychological Operations Group, ATTN: LTC Robert Sterbutzel, 326 Conifer Drive, Fayetteville, NC 28314

SUBJECT: Beret Flash and Background Trimming for the 8th Psychological Operations Group

1. In accordance with the provisions of AR-670-1, a beret flash and background trimming are authorized for wear by members of the 8th Psychological Operations Group.
2. The descriptions of the designs are as follows:

BERET FLASH

A bottle green shield-shaped embroidered item with a semi-circular base 2 1/4 inches (5.72 cm) in height and 1 7/8 inches (4.76 cm) in width overall, divided diagonally from upper left to lower right by a black bend charged with a yellow lightning bolt flanked by a pair of bendlets each 1/16 inch (.16 cm) on either side silver gray and white; all within a 1/8 inch (.32 cm) black inner border and a 1/8 inch (.32 cm) smoke outer border.

BACKGROUND TRIMMING

A bottle green oval-shaped embroidered item 1 3/8 inches (3.49 cm) in height and 2 1/4 inches (5.72 cm) in width overall, divided diagonally from upper left to lower right by a black bend charged with a yellow lightning bolt flanked by a pair of bendlets each 1/16 inch (.16 cm) on either side silver gray and white; all within a 1/8 inch (.32 cm) black inner border and a 1/8 inch (.32 cm) smoke outer border.

CABLE NUMBERS OF COLORS

| | |
|---------------|--------|
| Black | #67138 |
| Golden Yellow | #67104 |
| White | #67101 |
| Silver Gray | #67137 |
| Bottle Green | #67191 |
| Smoke | #67201 |

AAHS-IHS (840-10a)

SUBJECT: Beret Flash and Background Trimming for the 8th Psychological Operations Group

3. This authorization does not grant exclusive use of the above colors and pattern design for the 8th Psychological Operations Group.


CHARLES V. MUGNO
Director

CF: CMH

8TH PSYCHOLOGICAL OPERATIONS GROUP



Beret Flash

A bottle green shield-shaped embroidered item with a semi-circular base 2 1/4 inches (5.72 cm) in height and 1 7/8 inches (4.76 cm) in width overall, divided diagonally from upper left to lower right by a black bend charged with a yellow lightning bolt flanked by a pair of bendlets each 1/16 inch (.16 cm) on either side silver gray and white; all within a 1/8 inch (.32 cm) black inner border and a 1/8 inch (.32 cm) smoke outer border. The beret flash was approved on 20 December 2013. **(TIOH Dwg. No. A-4-289)**



Background Trimming

A bottle green oval-shaped embroidered item 1 3/8 inches (3.49 cm) in height and 2 1/4 inches (5.72 cm) in width overall, divided diagonally from upper left to lower right by a black bend charged with a yellow lightning bolt flanked by a pair of bendlets each 1/16 inch (.16 cm) on either side silver gray and white; all within a 1/8 inch (.32 cm) black inner border and a 1/8 inch (.32 cm) smoke outer border. The background trimming was approved on 20 December 2013. **(TIOH Dwg. No. A-6-314)**