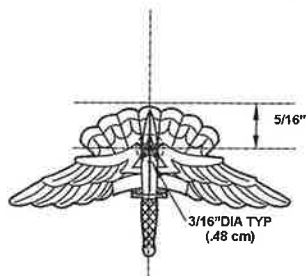
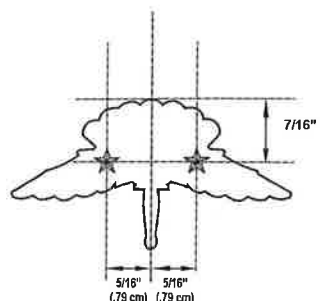


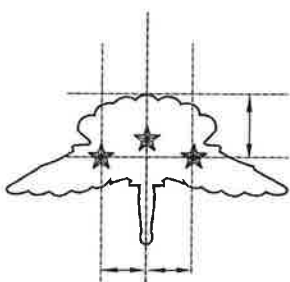
REVISIONS				
ZONE	LTR	DESCRIPTION	DATE	APPROVED



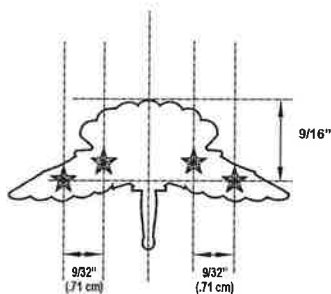
1ST AWARD



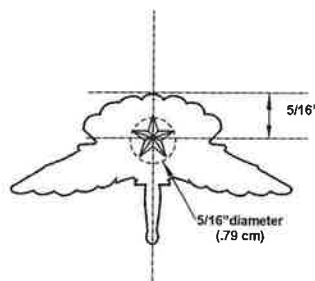
2D AWARD



3D AWARD



4TH AWARD



5TH AWARD

**NOTES:**

1. TO BE MANUFACTURED IN ACCORDANCE WITH LATEST REVISION OF SPECIFICATION MIL-DTL-3628/267.
2. ONLY BASIC BADGE IS ILLUSTRATED. STARS WILL BE LOCATED IN THE SAME MANNER ON JUMPMaster BADGES.
3. TO BE USED WITH TIOH DRAWING No. B-5-142.

UNLESS OTHERWISE SPECIFIED DIMENSIONS ARE IN INCHES TOLERANCES ON FRACTIONS DECIMALS ANGLES	EXAMINED	TTC	THE INSTITUTE OF HERALDRY, DEPARTMENT OF THE ARMY 9325 GUNSTON ROAD S-112 FORT BELVOIR, VA 22060-5579	
	CHECKED	JO	BADGES, COMBAT AND SPECIAL SKILL, METAL	
MATERIALS	PREPARED	sp	<b>MILITARY FREE FALL COMBAT PARACHUTIST</b>	
	APPROVED	<i>Charles V. Mugno</i> CHARLES V. MUGNO DIRECTOR	SIZE <b>B</b>	CODE IDENT No. <b>22571</b>
			SCALE FULL	DATE 30 DECEMBER 2015