



REPLY TO
ATTENTION OF

DEPARTMENT OF THE ARMY
THE INSTITUTE OF HERALDRY
9325 GUNSTON ROAD, ROOM S112
FORT BELVOIR, VIRGINIA 22060-5579

SEP 19 2016

AAMH-IHS (840-10a)

MEMORANDUM THRU Chief, National Guard Bureau, ATTN: NGB-PAH (Mr. Nestell),
111 South George Mason Drive, Building 2, Arlington, VA 22204

FOR Commander, HHC, 67th Maneuver Enhancement Brigade, 1776 North 10th Street,
Lincoln, NE 68508-1006

SUBJECT: Heraldic Items for the 67th Maneuver Enhancement Brigade, Nebraska
Army National Guard

1. As a result of the redesignation of the 67th Battlefield Surveillance Brigade to the 67th Maneuver Enhancement Brigade, the distinctive unit insignia (DUI) and shoulder sleeve insignia (SSI) have been redesignated as outlined in enclosures 1 and 2.
2. Also enclosed are the following:
 - a. Manufacturing drawing, black and white line drawing, and color print for the DUI (encls 3-5).
 - b. SSI manufacturing drawing (A-1-324) and color print (encls 6 and 7).
 - c. Manufacturing drawing, black and white line drawing, and color print of the Combat Service Identification Badge (CSIB) (encls 8-10)
3. The Brigade flag will be divided vertically teal blue and yellow with yellow fringe and the SSI centered. The U.S. Army Tank-Automotive and Armaments Command is responsible for the procurement of flags. To obtain your flag, complete DD Form 1348-6 on line at www.heraldry.army.mil; citing TIOH Drawing No. 5-1-310 and A-1-324, in the remarks section. POC at the Clothing and Heraldry Office is Ms. Bullard, DSN 444-2522 or COMM (215) 737-2522.
4. You may retain the 67th Maneuver Enhancement Brigade flag as a historical item. POC is Institute is Mrs. Henning by email at bonnie.s.henning.civ@mail.mil or by telephone at DSN 656-4972, COMM (703) 806-4972.

10 Encls
as

MUGNO.CHARLES.V.102
0723374

CHARLES V. MUGNO
Director

Digitally signed by MUGNO.CHARLES.V.1020723374
DN: c=US, ou=U.S. Government, ou=DoD, ou=PKI,
ou=USA, cn=MUGNO.CHARLES.V.1020723374
Date: 2016.09.19 08:06:17 -0400



REPLY TO
ATTENTION OF

DEPARTMENT OF THE ARMY
THE INSTITUTE OF HERALDRY
9325 GUNSTON ROAD, ROOM S112
FORT BELVOIR, VIRGINIA 22060-5579

SEP 19 2016

AAMH-IHS (840-10a)

MEMORANDUM FOR Commander, HHC, 67th Maneuver Enhancement Brigade, 1776
North 10th Street, Lincoln, NE 68508-1006

SUBJECT: Distinctive Unit Insignia for the 67th Maneuver Enhancement Brigade,
Nebraska Army National Guard

1. The distinctive unit insignia (DUI) redesignated effective 1 September 2016, for the 67th Maneuver Enhancement Intelligence Brigade, was:

a. **Originally approved** for the noncolor bearing units of the 67th Infantry Brigade by letter AGAH-A, The Institute of Heraldry, 13 December 1967.

b. **Redesignated** effective 1 September 2003, for the 67th Support Group with the description and symbolism updated by letter TAPC-PDH-H, The Institute of Heraldry, 20 December 2002.

c. **Redesignated** effective 1 September 2008, for the 67th Battlefield Surveillance Brigade by letter AAHS-IHS, The Institute of Heraldry, 18 June 2008.

2. The description and symbolism of the design are as follows:

DESCRIPTION

A gold color metal and enamel device 1 1/8 (2.86 cm) in width height overall consisting of two red byls saltirewise, the right surmounting the left and all in front of a vertical gold arrow with two wavy blue bands issuing from the outer sides of the shaft of the two byls and curving towards the byl heads.

SYMBOLISM

The wavy blue bands allude to the origin of the State of Nebraska's name from an Oto Indian word meaning "Flat Water." The arrow further alludes to its historical Indian tradition. The byls, ancient infantry weapons, refer to the basic mission of the unit when it was an infantry brigade.

AAMH-IHS (840-10a)

**SUBJECT: Distinctive Unit Insignia for the 67th Maneuver Enhancement Brigade,
Nebraska Army National Guard**

**3. This authorization is in accordance with AR 670-1 and National Guard Bureau
Organizational Authority Number 71-16, dated 12 May 2016. A copy of this letter will
become part of your permanent organizational history files.**

MUGNO.CHARLES.V.1
020723374

Digitally signed by MUGNO.CHARLES.V.1020723374
DN: cn=US, o=U.S. Government, ou=DoD, ou=PKI,
ou=USA, cn=MUGNO.CHARLES.V.1020723374
Date: 2016.09.19 08:34 -0400

CHARLES V. MUGNO
Director

CF: CMH



DEPARTMENT OF THE ARMY
THE INSTITUTE OF HERALDRY
9325 GUNSTON ROAD, ROOM S112
FORT BELVOIR, VIRGINIA 22060-5579

REPLY TO
ATTENTION OF

AAMH-IHS (840-10a)

SEP 19 2016

MEMORANDUM FOR Commander, HHC, 67th Maneuver Enhancement Brigade, 1776
North 10th Street, Lincoln, NE 68508-1006

SUBJECT: Shoulder Sleeve Insignia for the 67th Maneuver Enhancement Brigade,
Nebraska Army National Guard

1. The shoulder sleeve insignia redesignated effective 1 September 2016, for the 67th
Maneuver Enhancement Intelligence Brigade, was:

a. **Originally approved** for the 67th Infantry Brigade by letter AGAH-A, The Institute
of Heraldry, 18 June 1964.

b. **Amended** to change the wording of paragraph 2 by letter AGAH-A, The Institute
of Heraldry, 4 December 1964.

c. **Rescinded** by letter DAPC-PDH-P, The Institute of Heraldry, 15 July 1988.

d. **Reinstated and redesignated** effective 1 September 2008, for the 67th
Battlefield Surveillance Brigade with the description and symbolism updated by letter
AAHS-IHS, The Institute of Heraldry, 18 June 2008.

2. The description and symbolism of the design are as follows:

DESCRIPTION

A vertical rectangle arched convexly at top and bottom with a 1/8 inch (.32
cm) blue border, fimbriated by a 1/16 inch (.16 cm) white inner edge, 3
inches (7.62 cm) in height and 2 inches (5.08 cm) in width overall, on a blue
background a white byl bendwise issuing from base.

SYMBOLISM

Blue and white are the colors used for Infantry, the original unit designation.
The byl, a form of pike carried by foot soldiers, and one of the earliest
infantry weapons, symbolizes the historical assault and defense traditions
of the Infantry.

3. This letter also serves to redesignate the Combat Service Identification Badge.

**SUBJECT: Shoulder Sleeve Insignia for the 67th Maneuver Enhancement Brigade,
Nebraska Army National Guard**

**4. This authorization is in accordance with AR 670-1 and National Guard Bureau
Organizational Authority 71-16, dated 12 May 2016. A copy of this letter will become
part of your permanent organizational history files.**

MUGNO.CHARLES.V.10
20723374

Digitally signed by MUGNO.CHARLES.V.1020723374
DN: cn=US, o=U.S. Government, ou=DoD, ou=PKI,
ou=USA, cn=MUGNO.CHARLES.V.1020723374
Date: 2016.05.19 08:09:00 -0400

**CHARLES V. MUGNO
Director**

CF: CMH



67TH MANEUVER ENHANCEMENT BRIGADE

TYPE - II D - 6175

****This Drawing is 6x-Actual Size****

ACTUAL SIZE-----1 1/8" ± 1/64" Wide (2.86 cm ± 0.04 cm)

METAL COLOR
& PLATING-----Gold.

FINISH-----Mirror-like polish.

DESIGN:
CHARGES-----Flush, except arrow to be recessed and modeled.

LETTERING-----None.

PIERCING-----None, background recessed and textured between arrow, spears and wave.

EPOXY-----Stoning.

CHIP No's-----Red #1, Blue #30.

APPROVED **SEP 19 2016**
THE INSTITUTE OF HERALDRY,
DEPARTMENT OF THE ARMY

MUGNO.CHARLES.V.1
020723374

Digitally signed by MUGNO.CHARLES.V.1020723374
DN: c=US, o=U.S. Government, ou=DoD, ou=PKI,
ou=USA, cn=MUGNO.CHARLES.V.1020723374
Date: 2016.09.19 08:09:19 -0400

CHARLES V. MUGNO
DIRECTOR



67TH MANEUVER ENHANCEMENT BRIGADE

****This Drawing is 6x-Actual Size****

TYPE - II D - 6175

ACTUAL SIZE-----1 1/8" ± 1/64" Wide (2.86 cm ± 0.04 cm)

METAL COLOR
& PLATING-----Gold.

FINISH-----Mirror-like polish.

DESIGN:
CHARGES-----Flush, except arrow to be recessed and modeled.

LETTERING-----None.

PIERCING-----None, background recessed and textured between arrow, spears and wave.

EPOXY-----Stoning.

CHIP No's-----Red #1, Blue #30.

SEP 19 2016

APPROVED
THE INSTITUTE OF HERALDRY,
DEPARTMENT OF THE ARMY

MUGNO.CHARLES.V.102072
3374

Digitally signed by MUGNO.CHARLES.V.1020723374
DN: c=US, o=U.S. Government, ou=DoD, ou=PKI,
ou=USA, cn=MUGNO.CHARLES.V.1020723374
Date: 2016.09.19 08:09:40 -0400

CHARLES V. MUGNO
DIRECTOR



67TH MANEUVER ENHANCEMENT BRIGADE

****This Drawing is 6x-Actual Size****

ACTUAL SIZE-----1 1/8" ± 1/64" Wide (2.86 cm ± 0.04 cm)

METAL COLOR
& PLATING-----Gold.

FINISH-----Mirror-like polish.

DESIGN:
CHARGES-----Flush, except arrow to be recessed and modeled.

LETTERING-----None.

PIERCING-----None, background recessed and textured between arrow, spears and wave.

EPOXY-----Stoning.

CHIP No's-----Red #1, Blue #30.

TYPE - II D - 6175

***For Color Placement Only
Not For Color Match***

APPROVED **SEP 19 2016**
THE INSTITUTE OF HERALDRY,
DEPARTMENT OF THE ARMY

MUGNO.CHARLES.V.102072
3374

Digitally signed by MUGNO.CHARLES.V.1020723374
DN: cn=US, ou=U.S. Government, ou=DoD, ou=PKI,
ou=USA, cn=MUGNO.CHARLES.V.1020723374
Date: 2016.09.19 08:09:59 -0400

CHARLES V. MUGNO
DIRECTOR

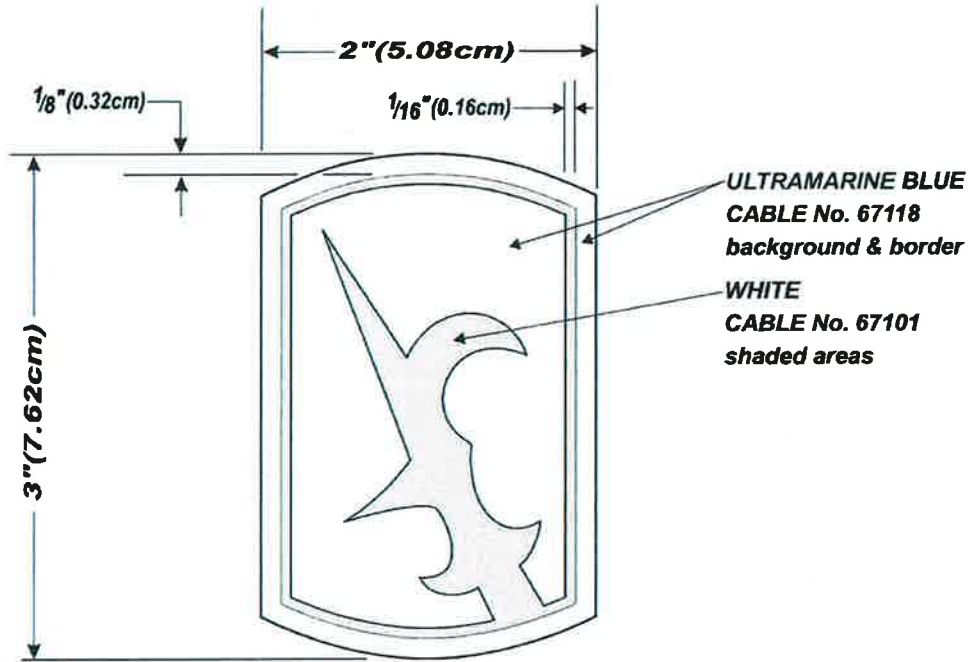
FOR SUBDUED INSIGNIA

ACU-UCP:
 WHITE TO BE FOLIAGE GREEN 67202.
 BLUE TO BE BLACK 67138.

ACU-OCP:
 WHITE TO BE BAGBY GREEN 67204.
 BLUE TO BE BLACK 67138.

REVISIONS

LTR	DESCRIPTION	DATE	APPROVED
-----	-------------	------	----------



DESIGNED FOR OVEREDGE STITCHING

STITCH COUNT
5350 STITCHES (MINIMUM)
100/2 DENIER
8/4 SPAN

FORMERLY: 67TH BATTLEFIELD SURVEILLANCE BRIGADE
SUPERSEDES TIOH DWG. No. A-1-324 DTD 30 MAY 2008

UNLESS OTHERWISE SPECIFIED DIMENSIONS ARE IN INCHES TOLERANCES ON FRACTIONS DECIMALS ANGLES

MATERIALS:
 TO BE MANUFACTURED IN ACCORDANCE WITH MIL-DTL-14652

EXAMINED	TZ	
CHECKED	CA	JAD
PREPARED	CLH III	
APPROVED	MUGNO.CHARLES. V.1020723374 <small>Digitally signed by MUGNO.CHARLES.V.1020723374 DN: cn=MUGNO.CHARLES.V.1020723374, o=USA, ou=MUGNO.CHARLES.V.1020723374, email=MUGNO.CHARLES.V.1020723374, date=2016.08.18 10:28:51-07</small>	
CHARLES V. MUGNO DIRECTOR		

THE INSTITUTE OF HERALDRY, DEPARTMENT OF THE ARMY
 9325 GUNSTON RD, RM S-113 FORT BELVOIR, VA 22060-5579

SHOULDER SLEEVE INSIGNIA
67TH MANEUVER
ENHANCEMENT BRIGADE

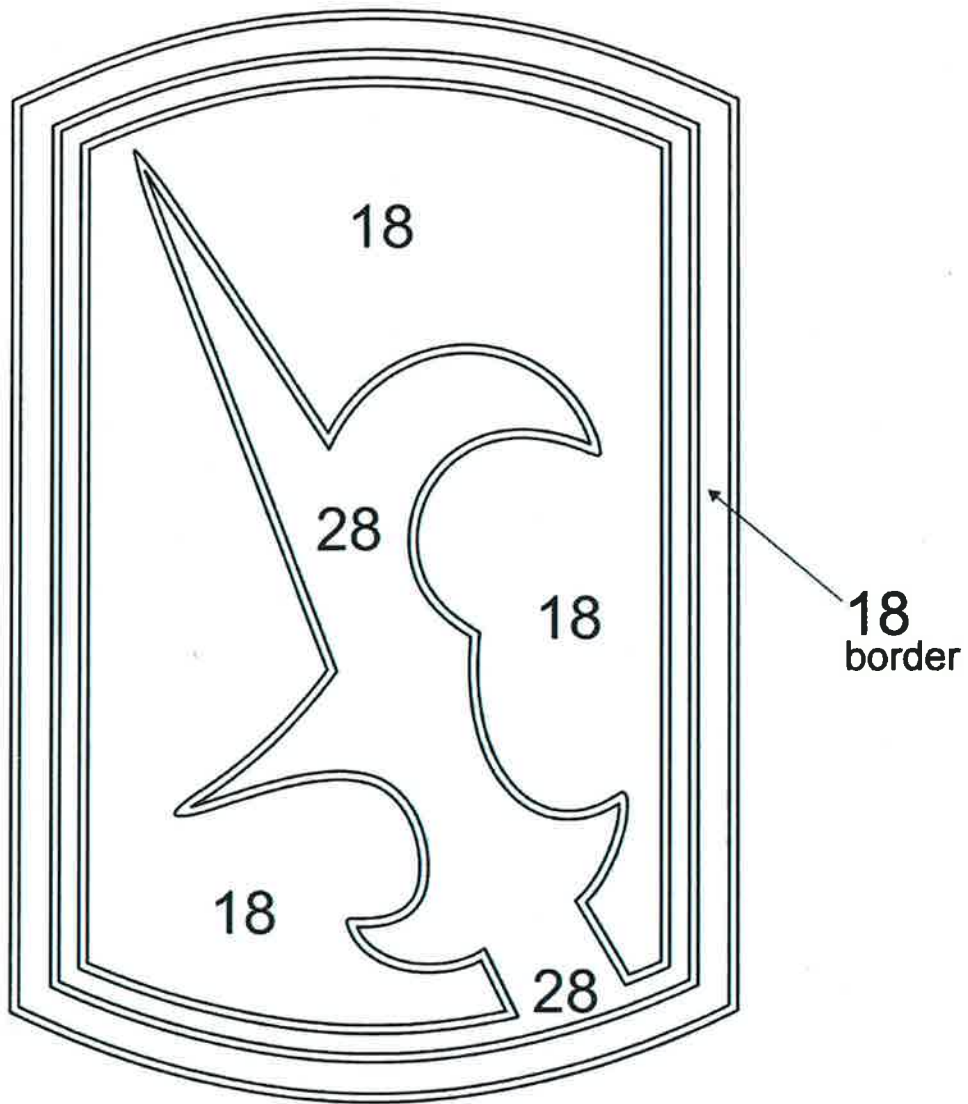
SIZE CONTROL IDENT. NO
A 22571

A-1-324

SCALE FULL DATE **30 AUGUST 2016**



**Shoulder Sleeve Insignia
67th Maneuver Enhancement Brigade**



**67TH MANEUVER ENHANCEMENT
BRIGADE**

TYPE - I C-1099

****This Drawing is 3x-Actual Size****

ACTUAL SIZE-----2" ± 1/64" High (5.08 cm ± 0.04 cm)

METAL COLOR-----Silver
 PLATING-----Nickel
 FINISH-----Mirror-like polish

DESIGN:
 CHARGES-----Flush
 LETTERING-----None
 PIERCING-----None
 PRONGS-----Two (2)
 EPOXY-----Stoning

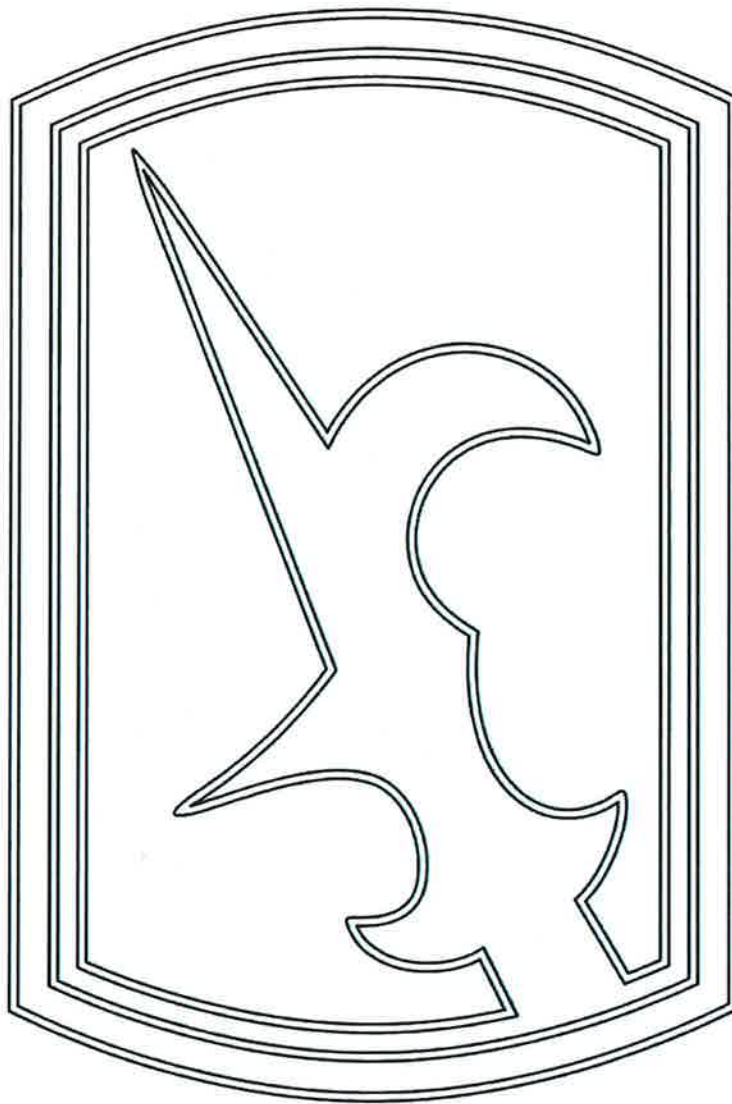
CHIP No's-----Blue #18, White #28

APPROVED SEP 19 2016
 THE INSTITUTE OF HERALDRY,
 DEPARTMENT OF THE ARMY

MUGNO.CHARLES.V.102
 0723374

Digitally signed by MUGNO.CHARLES.V.1020723374
 DN: cn=US, o=U.S. Government, ou=DoD, ou=PKI,
 ou=USA, cn=MUGNO.CHARLES.V.1020723374
 Date: 2016.09.19 08:11:20 -0400

CHARLES V. MUGNO
 DIRECTOR



**67TH MANEUVER ENHANCEMENT
BRIGADE**

TYPE - I C-1099

****This Drawing is 3x-Actual Size****

ACTUAL SIZE-----2" \pm 1/64" High (5.08 cm \pm 0.04 cm)

METAL COLOR-----Silver
PLATING-----Nickel
FINISH-----Mirror-like polish

DESIGN:
CHARGES-----Flush
LETTERING-----None
PIERCING-----None
PRONGS-----Two (2)
EPOXY-----Stoning

CHIP No's-----Blue #18, White #28

APPROVED SEP 19 2016
THE INSTITUTE OF HERALDRY,
DEPARTMENT OF THE ARMY

MUGNO.CHARLES.V.1
020723374

Digitally signed by MUGNO.CHARLES.V.1020723374
DN: c=US, o=U.S. Government, ou=DoD, ou=PKI,
ou=USA, cn=MUGNO.CHARLES.V.1020723374
Date: 2016.09.19 08:11:46 -0400

CHARLES V. MUGNO
DIRECTOR



**67TH MANEUVER ENHANCEMENT
BRIGADE**

****This Drawing is 3x-Actual Size****

ACTUAL SIZE-----2" ± 1/64" High (5.08 cm ± 0.04 cm)

METAL COLOR-----Silver
PLATING-----Nickel
FINISH-----Mirror-like polish

DESIGN:
CHARGES-----Flush
LETTERING-----None
PIERCING-----None
PRONGS-----Two (2)
EPOXY-----Stoning

CHIP No's-----Blue #18, White #28

TYPE - I C-1099

***For Color Placement Only
Not For Color Match***

APPROVED SEP 19 2016
**THE INSTITUTE OF HERALDRY,
DEPARTMENT OF THE ARMY**

MUGNO.CHARLES.V.10
20723374

Digitally signed by MUGNO.CHARLES.V.1020723374
DN: c=US, o=U.S. Government, ou=DoD, ou=PKI,
ou=USA, cn=MUGNO.CHARLES.V.1020723374
Date: 2016.09.19 08:12:12 -0400

**CHARLES V. MUGNO
DIRECTOR**