



DEPARTMENT OF THE ARMY

THE INSTITUTE OF HERALDRY
9325 GUNSTON ROAD, ROOM S113
FORT BELVOIR, VIRGINIA 22060-5579

AARP-IHS

20 April 2021

MEMORANDUM FOR Commander, 1st Multi-Domain Task Force

SUBJECT: Authorized Insignia for the 1st Multi-Domain Task Force

1. The following heraldic items are authorized for the 1st Multi-Domain Task Force, effective 20 April 2021.

- a. A shoulder sleeve insignia with blazon and symbolism as follows:

BLAZON

On a shield shaped embroidered item edged with a 1/8" (.32cm) Gray border blazoned as follows: Sable, issuant from base a demi-sphere Gris (Smoke), edged and grid-lined Argent (Silver Gray), surmounted by a sword palewise Gules, edged of the third, point to chief, in chief five mullets fesswise Argent. Overall dimensions are 3" (7.62cm) in height by 2 3/8" (6.03cm) in width.

SYMBOLISM

The shield shape of the device refers to the defensive role of the 1st Multi-Domain Task Force, while the sword represents their offensive capability. The five stars in chief signify the five domains: cyber, space, air, ground, and sea. The globe imagery denotes the formation's global reach.

- b. A distinctive unit insignia with blazon and symbolism as follows:

BLAZON

A silver metal and epoxied shield shaped device 1 1/8 inch (2.86cm) in height blazoned as follows: Sable, issuant from base a demi-sphere Gris (Smoke), edged and grid-lined Argent (Silver Gray), surmounted by a sword palewise Gules, edged of the third, point to chief, in chief five mullets fesswise of the third. Attached below the shield, a silver scroll inscribed "**WIN FIRST**" in black letters.

SYMBOLISM

Red is a color associated with Field Artillery units. Black is indicative of ammunition. The shield shape of the device refers to the defensive role of the 1st Multi-Domain Task Force, while the sword represents their offensive

AARP-IHS

SUBJECT: Authorized Insignia for the 1st Multi-Domain Task Force

capability. The five stars in chief signify the five domains: cyber, space, air, ground, and sea. The globe imagery denotes the formation's global reach.

c. As a separate table of organization and equipment brigade, a distinguishing flag is authorized IAW AR 840-10, Chapter 5-20.

2. Enclosed for your use and retention are:

a. TIOH Drawing A-1-1144.

b. TIOH Drawing D-7024.

c. Artwork in color.

3. The U.S. Army Tank-Automotive and Armaments Command is responsible for the procurement of flags. To obtain your flag, complete DD Form 1348-6 online at www.heraldry.army.mil; citing TIOH Drawing No. 5-1-310, in the remarks section. POC at the Clothing and Heraldry Office is Ms. Franklin, DSN 444-2515 or COMM (215) 737-2515.

4. All manufacturing tools (hubs, dies and patterns) will be maintained by The Institute of Heraldry (TIOH) as part of our quality assurance program. In addition, TIOH retains a permanent record of the approved design and all correspondence for future reference. A set of standard DUI and SSI samples with procurement instructions and a list of our certified manufacturers was previously sent to the POC and mailing address on record.

5. This authorization is in accordance with AR 670-1, AR 840-10, Permanent Order No. 294-06, dated 21 October 2019 and Chief of Staff of the Army approval. A copy of this letter will become part of your permanent organizational history files.

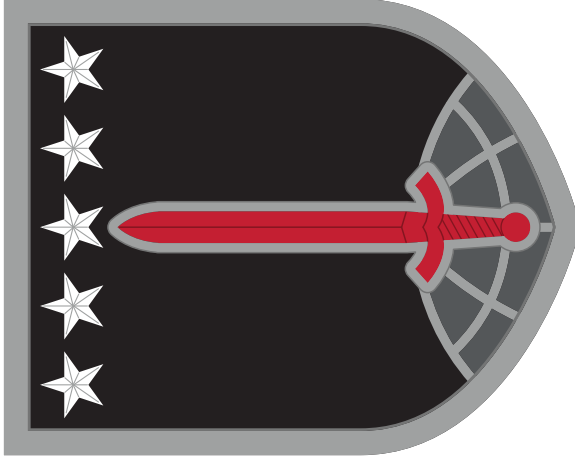
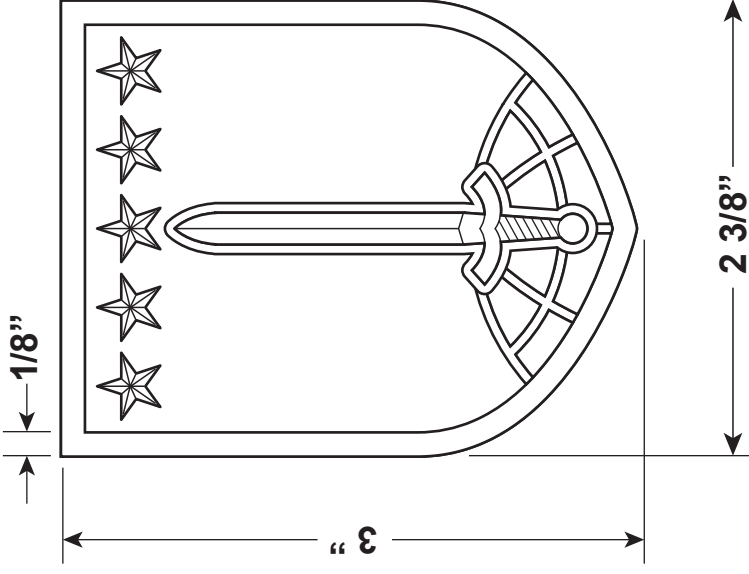
6. The point of contact for this action is Mr. Derek Nestell at derek.r.nestell.civ@mail.mil.

MUGNO.CHARLES V.1020723374
S.V.1020723374
Digitally signed by
MUGNO.CHARLES.V.102072337
4
Date: 2021.04.20 12:58:42 -04'00'

Encls

CHARLES V. MUGNO
Director

REVISIONS



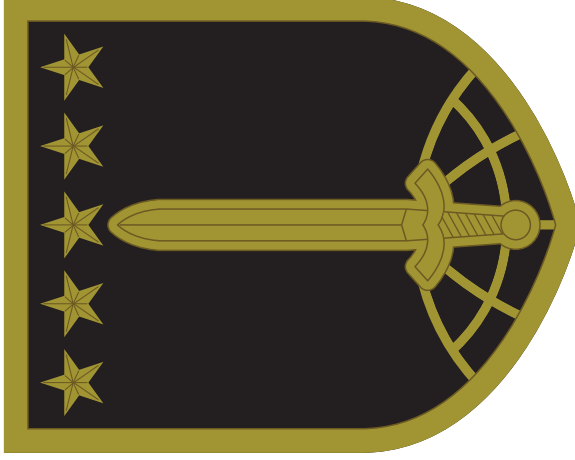
White Cable No. 67101

Scarlet Cable No. 67111

Silver Gray Cable No. 67137

Black Cable No. 67138

Smoke Cable No. 67201



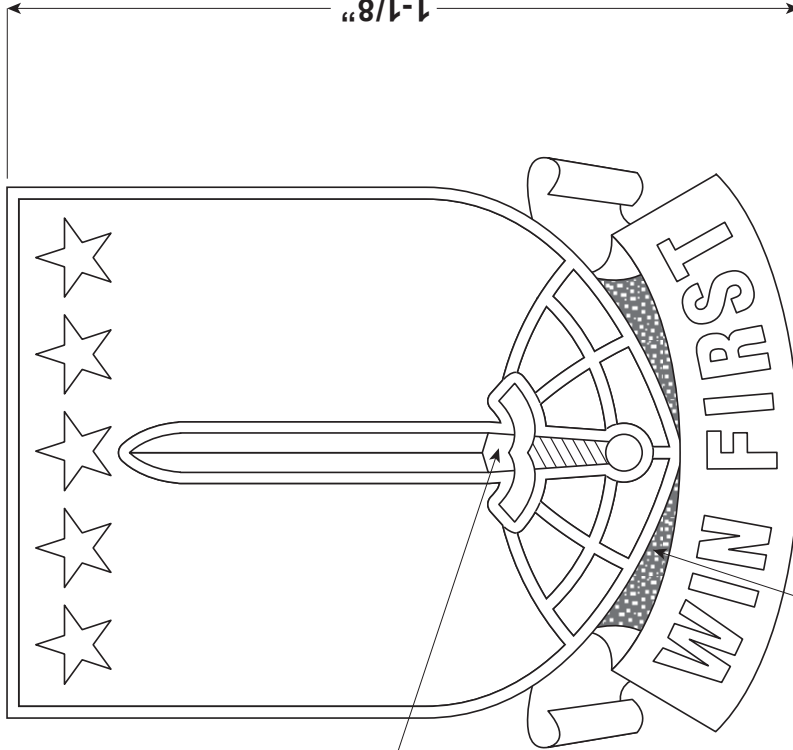
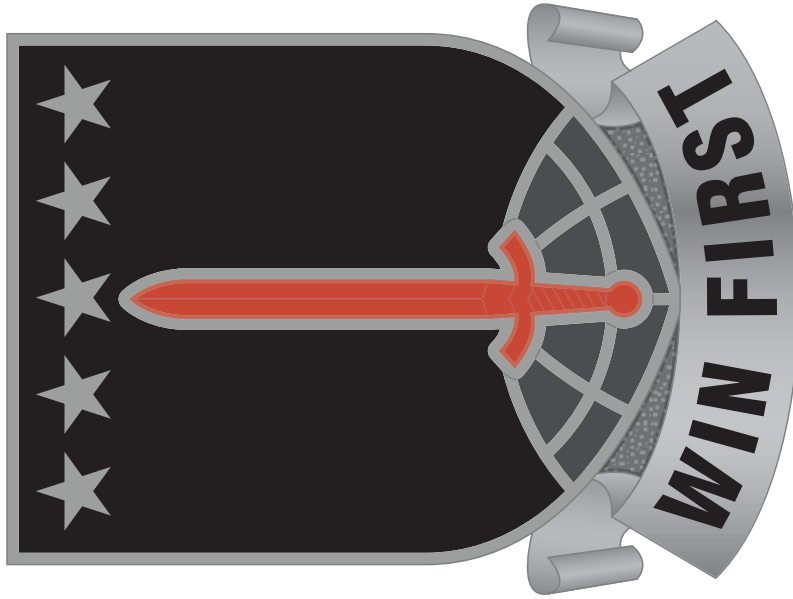
Bagby Green Cable No. 67204

Black Cable No. 67138

**DESIGNED FOR
OVEREDGE STITCHING**

PREPARED	AFW	THE INSTITUTE OF HERALDRY, DEPARTMENT OF THE ARMY
EXAMINED	SJO	9325 GUNSTON RD, RM S-113 FORT BELVOIR, VA 22060-5579
HDD CHIEF	AWW	SHOULDER SLEEVE INSIGNIA
APPROVED	MUGNO.CHARLE S. V. 1020723374	1ST MULTI-DOMAIN TASK FORCE
<small>Digitally signed by MUGNO.CHARLES.V.102072337 Date: 2021.04.20 12:59:00 -0400</small>		DISTRIBUTION A.
<small>CHARLES V. MUGNO, DIRECTOR</small>		APPROVED FOR PUBLIC RELEASE
MATERIALS: TO BE MANUFACTURED IN ACCORDANCE WITH MIL-DTL-14652		A-1-1144
		DATE: 20 April 2021

REVISIONS



SWORD TO BE RECESSED,
MODELED, & FILLED WITH
TRANSPARENT RED EPOXY

RECESSED & TEXTURED
BETWEEN SHIELD AND SCROLL

FINISH: Nickel plated, mirror-like polish

PRONGS: 2

EPOXY: Stoning

EPOXY COLORS:

Transparent Red #4

Black #26

Gray #38

NOTES:

FLUSH EXCEPT FOR END OF SCROLLS TO BE MODELED.

PREPARED	AFW	THE INSTITUTE OF HERALDRY, DEPARTMENT OF THE ARMY
EXAMINED	JRO	3325 GUNSTON RD, RM S-113 FORT BELVOIR, VA 22060-5579
HDD CHIEF	AWW	DISTINCTIVE UNIT INSIGNIA
APPROVED		1ST MULTI-DOMAIN TASK FORCE
MUGNO, CHARLE		SCALE
S.V.1020723374		6X
Digitally signed by MUGNO CHARLES V.1020723374		DISTRIBUTION AUTHORITY
Date: 2021.04.20 12:59:13 -0400		APPROVED FOR
CHARLES V. MUGNO, DIRECTOR		PUBLIC RELEASE
		DATE: 20 April 2021



1ST MULTI-DOMAIN TASK FORCE



SHOULDER SLEEVE INSIGNIA BLAZON

Shield. On a shield shaped embroidered item edged with a 1/8" (.32cm) Gray border blazoned as follows: Sable, issuant from base a demi-sphere Gris (Smoke), edged and grid-lined Argent (Silver Gray), surmounted by a sword palewise Gules, edged of the third, point to chief, in chief five mullets fesswise Argent. Overall dimensions are 3" (7.62cm) in height by 2 3/8" (6.03cm) in width.

Symbolism. The shield shape of the device refers to the defensive role of the 1st Multi-Domain Task Force, while the sword represents their offensive capability. The five stars in chief signify the five domains: cyber, space, air, ground, and sea. The globe imagery denotes the formation's global reach.



1ST MULTI-DOMAIN TASK FORCE



DISTINCTIVE UNIT INSIGNIA BLAZON

Shield. A silver metal and epoxied shield shaped device 1 1/8 inch (2.86cm) in height blazoned as follows: Sable, issuant from base a demi-sphere Gris (Smoke), edged and grid-lined Argent (Silver Gray), surmounted by a sword palewise Gules, edged of the third, point to chief, in chief five mullets fesswise of the third. Attached below the shield, a silver scroll inscribed “**WIN FIRST**” in black letters.

Symbolism. Red is a color associated with Field Artillery units. Black is indicative of ammunition. The shield shape of the device refers to the defensive role of the 1st Multi-Domain Task Force, while the sword represents their offensive capability. The five stars in chief signify the five domains: cyber, space, air, ground, and sea. The globe imagery denotes the formation’s global reach.

DEPARTMENT OF THE ARMY
HEADQUARTERS UNITED STATES ARMY FORCES COMMAND
4700 KNOX STREET
FORT BRAGG, NC 28310-5000

PERMANENT ORDERS 294-06

21 October 2019

1ST CYBER DETACHMENT (ICEWS), FC, (WKDYAA), JOINT BASE LEWIS-MCCHORD,
WASHINGTON 98433-9500
1ST CYBER DETACHMENT (ICEWS) AUGMENTATION (CARRIER), FC, (WKDY90), JOINT BASE
LEWIS-MCCHORD, WASHINGTON 98433-9500

Following organization/unit action directed.

Action: Unit ACTIVATION

Service assigned to Headquarters, United States Army Forces Command. Organic to 1st Multi-Domain Task Force

Mission: As stated in Section I, TOE 71590K000

Effective date: 16 September 2020 (UIC: WKDYAA)

16 September 2020 [Augmentation (Carrier)] (UIC: WKDY90)

Military structure strength: 23 Off; 10 WO; 161 Enl; 194 Aggr

Military authorized strength: 23 Off; 10 WO; 161 Enl; 194 Aggr

Civilian structure strength: Not applicable

Civilian authorized strength: Not applicable

Accounting classification: Appropriate allotments will be obligated to the extent necessary (DFAS 37-100-XX, Army Management Structure).

Authority: Para 8-20, AR 71-32

Additional instructions:

a. MTOE: 71590KFC01 FC0120

b. SRC: 71590K00000100

c. TPSN: 07101

d. ALO: 1

e. FAD: II

f. Equipment required and not on hand will be requisitioned in accordance with AR 710-2.

g. Personnel required will be provided in accordance with existing directives.

h. The official authorization document for unit to cite as authority for requisitioning personnel and equipment is MTOE 71590KFC01 FC0120, EDATE 16 September 2020. Personnel assigned to and equipment delivered to the site before activation of that unit will be assigned to and accounted for by the 1st Cyber Detachment (ICEWS) Augmentation (Carrier). No authorization documents for carrier units are prepared in TAADS. Unit structure is contained in the official authorization document.

i. Training and Readiness Authority (TRA) for the unit is executed by Commander, 1st Multi-Domain Task Force; and Commander, I Corps, Joint Base Lewis-McChord. TRA is the degree of Title 10 authority that operational commanders in a chain of command exercise on matters affecting the training and readiness of assigned or attached modular units. TRA is mission command authority delegated by CG, FORSCOM. Unless specified otherwise, TRA includes the authority to give direction for leader development, organizational training, and unit readiness (to include maintenance, manning, and equipping).

j. Commander, I Corps, Joint Base Lewis-McChord provides support (installation focus) in accordance with his roles and responsibilities as the Army Senior Commander.

k. Transfer and promotion authority will be in accordance with AR 614-100, AR 614-200, AR 600-8-19, and AR 600-8-29, respectively.

l. Commander, I Corps, Joint Base Lewis-McChord will exercise general court-martial convening authority, original, and appellate jurisdiction under Article 15, Uniform Code of Military Justice; will be responsible for the general administration of military justice; and will take those administrative actions requiring action by an officer exercising general court-martial convening authority. Commander, I Corps, Joint Base Lewis-McChord may further attach the unit for the exercise of special court-martial convening authority, summary court-martial convening authority, and appellate proceedings under Article 15, Uniform Code of Military Justice.

m. Units undergoing reorganization, activation, or other force structure change will begin evaluating projected unit status under new MTOE no later than 120 days prior to EDATE. Units projecting C4 in one or more resource areas will request authorization to report C5 from FORSCOM no later than 90 days prior to EDATE in accordance with AR 220-1, Army Unit Status Reporting and Force Registration-Consolidated Policies.

PERMANENT ORDERS 294-06, Headquarters, United States Army Forces Command, Fort Bragg,
North Carolina, 21 October 2019, continued.

n. Direct questions about this order to AFHQ (G-3/5/7, AFOP-FMD), DSN 670-5710/5599.
Format: 740

FOR THE COMMANDER:

MOONEYHAN.SAMUEL.A.1106312407 Digitally signed by MOONEYHAN.SAMUEL.A.1106312407
Date: 2020.01.28 08:46:37 -05'00'

SAMUEL A. MOONEYHAN
Chief, Force Structure Branch
Force Management Division, G-3/5/7

DISTRIBUTION:

Commander, U.S. Army Center of Military History, ATTN: DAMH-FPO, 103 Third Avenue,
Fort Lesley J. McNair, DC 20319-5058
HQDA: DAMO-FMP

Commanders:

I Corps, ATTN: AFZH-GTT-FM (MS#4), Joint Base Lewis-McChord, WA 98433-9500



AMERICA'S ARM
People First - Winning Matters

HQDA | DCS | G-3/5/7



Shoulder Sleeve Insignia and Distinctive Unit Insignia Options

Approved for BDE
Approved

INSTITUTE OF HERALDRY NEW DESIGN OPTIONS

Shoulder Sleeve Insignia



Distinctive Unit Insignia



Symbolism. The shield shape of the device refers to the defensive role of the 1st Multi-Domain Task Force, while the sword represents their offensive capability. The five stars in chief signify the five domains: cyber, space, air, ground, and sea. The globe imagery denotes the formation's global reach.

Motto. Win First

HISTORICAL PATCHES

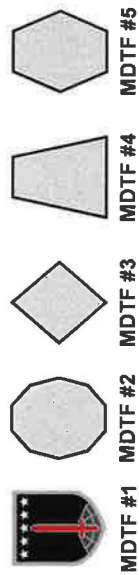
Separate Infantry Brigades



Redesignation of Armored Divisions to Brigades



UNIQUE PATCH FOR EACH MDTF



WEAR ASCC PATCH



USAREUR-AF

USARPAC

Approved
Approved
24 Feb 21