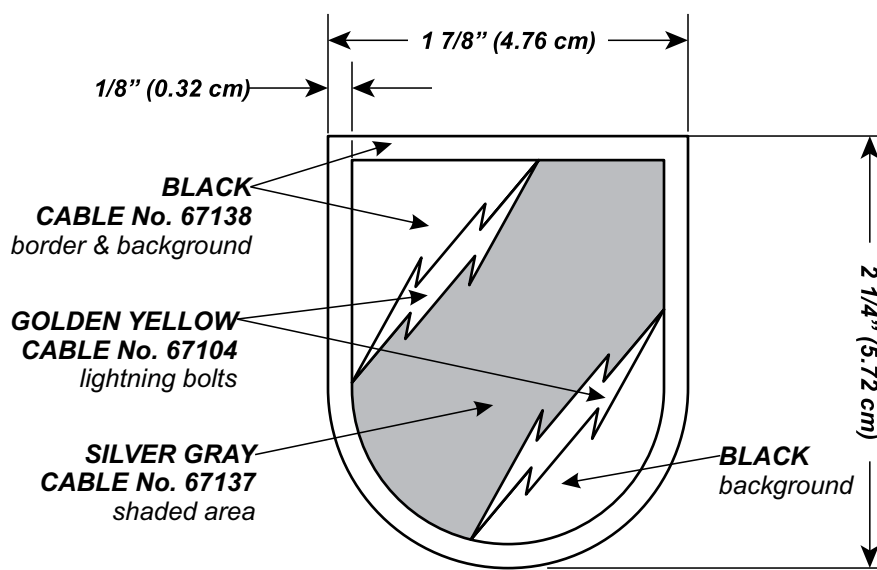



REVISIONS			
LTR	DESCRIPTION	DATE	APPROVED

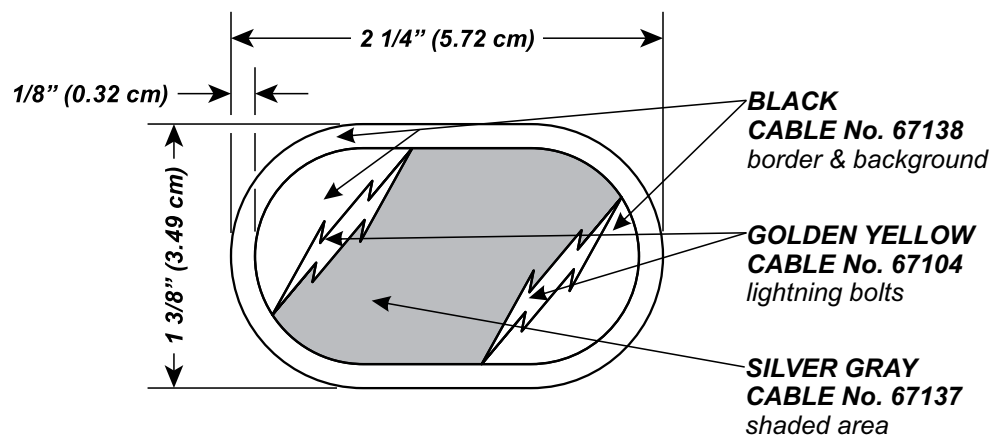


DESIGNED FOR OVEREDGE STITCHING

SUPERSEDES TIOH DWG. No. A-4-310 27 OCTOBER 2016

UNLESS OTHERWISE SPECIFIED DIMENSIONS ARE IN INCHES TOLERANCES ON FRACTIONS DECIMALS ANGLES				THE INSTITUTE OF HERALDRY, DEPARTMENT OF THE ARMY 9325 GUNSTON RD, RM S-113 FORT BELVOIR, VA 22060-5579	
	EXAMINED	TLC		BERET FLASH JOINT COMMUNICATIONS UNIT	
	CHECKED	CA	SAD		
	PREPARED	AWW			
MATERIALS: TO BE MANUFACTURED IN ACCORDANCE WITH MIL-DTL-14652	APPROVED			SIZE	CONTROL IDENT. NO
	 CHARLES V. MUGNO DIRECTOR			A	22571
				SCALE	DATE
				FULL	16 JUNE 2017

REVISIONS			
LTR	DESCRIPTION	DATE	APPROVED



DESIGNED FOR OVEREDGE STITCHING

SUPERSEDES TIOH DWG. No. A-6-337 27 OCTOBER 2016

UNLESS OTHERWISE SPECIFIED DIMENSIONS ARE IN INCHES
TOLERANCES ON FRACTIONS DECIMALS ANGLES

MATERIALS:
TO BE MANUFACTURED IN ACCORDANCE WITH MIL-DTL-14652

EXAMINED	TLC	
CHECKED	CA	SAD
PREPARED	AWW	

APPROVED
Charles V. Mugno
CHARLES V. MUGNO
DIRECTOR

THE INSTITUTE OF HERALDRY, DEPARTMENT OF THE ARMY
9325 GUNSTON RD, RM S-113 FORT BELVOIR, VA 22060-5579

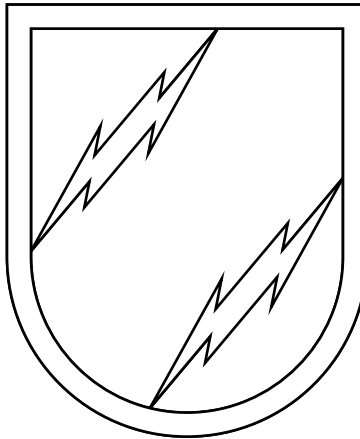
BACKGROUND TRIMMING
JOINT COMMUNICATIONS UNIT

SIZE	CONTROL IDENT. NO	A-6-337
A	22571	

SCALE	FULL	DATE	16 JUNE 2017
-------	------	------	---------------------

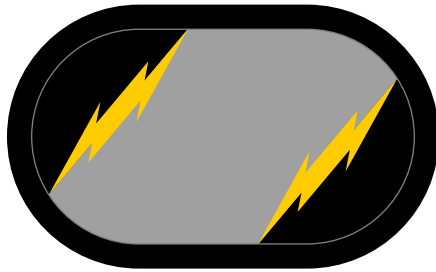


COLOR

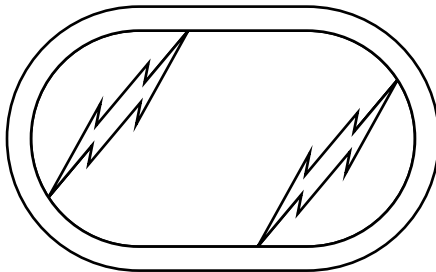


LINE

**SUGGESTED DESIGN
BERET FLASH
JOINT COMMUNICATIONS UNIT**



COLOR



LINE

**BACKGROUND TRIM
JOINT COMMUNICATIONS UNIT**