



REPLY TO  
ATTENTION OF

**DEPARTMENT OF THE ARMY**  
THE INSTITUTE OF HERALDRY  
9325 GUNSTON ROAD, ROOM S112  
FORT BELVOIR, VIRGINIA 22060-5579

MAR 07 2016

AAMH-IHS (840-10a)

MEMORANDUM FOR Commander, 383d Quartermaster Detachment, Fort Bragg, NC  
28310

SUBJECT: Beret Flash and Background Trimming for the 383d Quartermaster  
Detachment

1. The request for a beret flash and background trimming for the 383d Quartermaster Detachment is approved. Forwarded for your organizational records is the authorization letter (encl 1).

2. Also enclosed for use in procurement of the items are:

a. Manufacturing drawings for the flash and trimming (TIOH Dwg. No. A-4-304 and A-6-331) (encls 2 and 3).

b. Color prints and black and white line drawings of the flash and trimming (encls 4 and 5).

c. A list of certified manufacturers and procedures for local procurement of insignia (encls 6 and 7).

3. POC this Institute is Mrs. Henning by telephone at DSN 656-4972, Commercial (703) 806-4972 or by email at [bonnie.s.henning.civ@mail.mil](mailto:bonnie.s.henning.civ@mail.mil).

MUGNO.CHARLES.V. Digitally signed by MUGNO CHARLES.V.1020723374  
1020723374  
DN: cn=U.S. Government, ou=DOD, ou=PR,  
o=USA, cn=MUGNO CHARLES.V.1020723374  
Date: 2016.03.07 07:32:50 -0500

CHARLES V. MUGNO  
Director

7 Encls  
as



REPLY TO  
ATTENTION OF

**DEPARTMENT OF THE ARMY**  
THE INSTITUTE OF HERALDRY  
9325 GUNSTON ROAD, ROOM S112  
FORT BELVOIR, VIRGINIA 22060-5579

MAR 07 2016

AAMH-IHS (840-10a)

MEMORANDUM FOR Commander, 383d Quartermaster Detachment, Fort Bragg, NC  
28310

SUBJECT: Beret Flash and Background Trimming for the 383d Quartermaster  
Detachment

1. In accordance with the provisions of AR-670-1, a beret flash and background trimming are authorized for wear by members of the 383d Quartermaster Detachment.
2. The descriptions of the designs are as follows:

**BERET FLASH**

A shield-shaped embroidered item with a semi-circular base 2 1/4 inches (5.72 cm) in height and 1 7/8 inches (4.76 cm) in width overall, divided diagonally from upper right to lower left dark gray over light gray by two 1/8 inch (.32 cm) diagonal stripes black over dark orange; all within a 1/16 inch (.16 cm) maroon inner border and 1/16 inch (.16 cm) black outer border.

**BACKGROUND TRIMMING**

An oval-shaped embroidered item 1 3/8 inches (3.49 cm) in height and 2 1/4 inches (5.72 cm) in width overall, divided diagonally from upper right to lower left dark gray over light gray by two 1/8 inch (.32 cm) diagonal stripes black over dark orange; all within a 1/16 inch (.16 cm) maroon inner border and 1/16 inch (.16 cm) black outer border.

**CABLE NUMBERS OF COLORS**

Black	#67138
Grebe Gray	#67200
Maroon	#67114
Burnt Orange	#67149
Silver Gray	#67137

AAMH-IHS (840-10a)

SUBJECT: Beret Flash and Background Trimming for the 383d Quartermaster Detachment

3. This authorization does not grant exclusive use of the above colors and pattern design for the 383d Quartermaster Detachment.

MUGNO.CHARLES.V. 1020723374  
1020723374

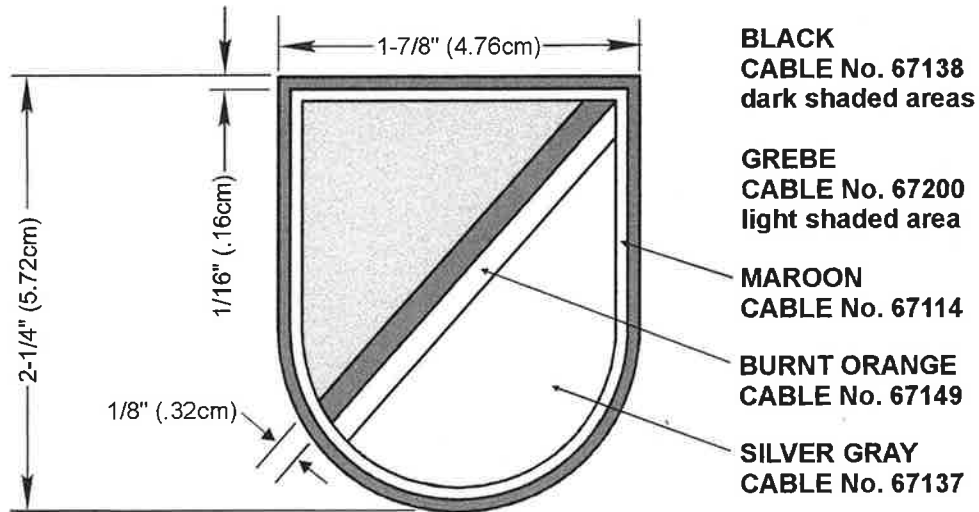
Digitally signed by MUGNO.CHARLES.V.1020723374  
DN: c=US, o=U.S. Government, ou=DoD, ou=PKI,  
ou=USA, cn=MUGNO.CHARLES.V.1020723374  
Date: 2016.03.07 07:32:03 -0500

CHARLES V. MUGNO  
Director

CF: CMH

**REVISIONS**

LTR	DESCRIPTION	DATE	APPROVED
-----	-------------	------	----------



**DESIGNED FOR OVEREDGE STITCHING**

UNLESS OTHERWISE SPECIFIED DIMENSIONS ARE IN INCHES  
TOLERANCES ON FRACTIONS DECIMALS ANGLES

MATERIALS:  
TO BE MANUFACTURED IN ACCORDANCE WITH MIL-DTL-14652

EXAMINED		
CHECKED	<i>(Signature)</i>	<i>(Signature)</i>
PREPARED	<b>EOM</b>	
APPROVED	<i>(Signature)</i>	
	CHARLES V. MUGNO DIRECTOR	

**THE INSTITUTE OF HERALDRY, DEPARTMENT OF THE ARMY**  
9325 GUNSTON RD, RM S-113 FORT BELVOIR, VA 22060-5579

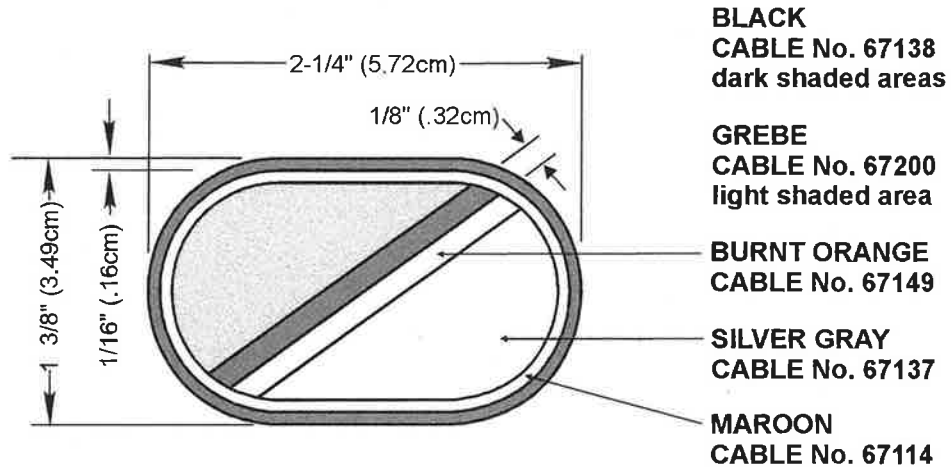
BERET FLASH FOR  
**383D QUARTERMASTER DETACHMENT**

SIZE	CONTROL IDENT. NO	<b>A-4-304</b>
<b>A</b>	<b>22571</b>	
SCALE	FULL	DATE
		<b>29 FEBRUARY 2016</b>

*Encl 2*


REVISIONS

LTR	DESCRIPTION	DATE	APPROVED
-----	-------------	------	----------



**DESIGNED FOR OVEREDGE STITCHING**

UNLESS OTHERWISE SPECIFIED DIMENSIONS ARE IN INCHES TOLERANCES ON FRACTIONS DECIMALS ANGLES

EXAMINED	TUC	
CHECKED	CS	SOE
PREPARED	EOM	
APPROVED	 CHARLES V. MUGNO DIRECTOR	

THE INSTITUTE OF HERALDRY, DEPARTMENT OF THE ARMY  
 9325 GUNSTON RD, RM S-113 FORT BELVOIR, VA 22060-5579

BACKGROUND TRIMMING FOR

**383D QUARTERMASTER  
 DETACHMENT**

MATERIALS:  
 TO BE MANUFACTURED IN ACCORDANCE WITH MIL-DTL-14652

SIZE	CONTROL IDENT. NO	<b>A-6-331</b>
<b>A</b>	<b>22571</b>	
SCALE	FULL	DATE
		<b>29 FEBRUARY 2016</b>

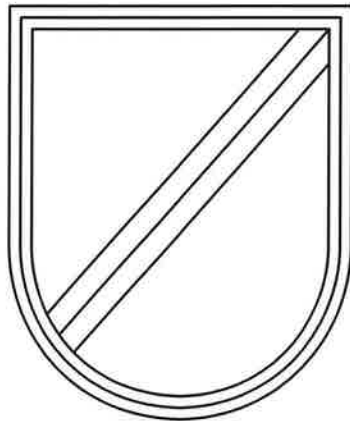


*FLASH*

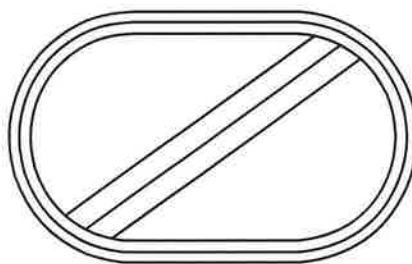


*TRIM*

***FLASH and TRIM***  
***383D QUARTERMASTER DETACHMENT***



**FLASH**



**TRIM**

**FLASH and TRIM  
383D QUARTERMASTER DETACHMENT**